

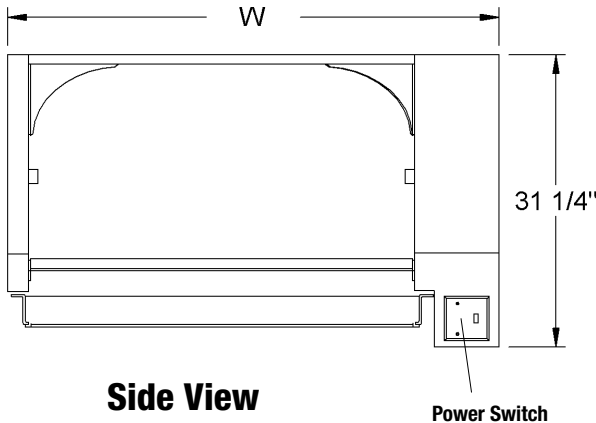
Wood Stone

THE OKANOCHAN

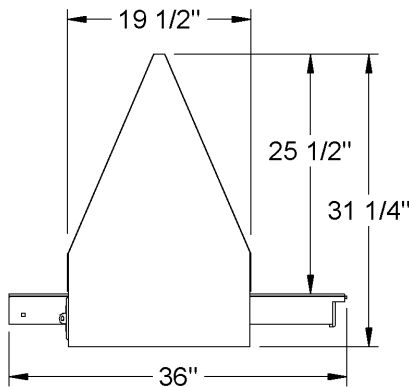
Single Spit Rotisserie



Front View



Side View



Model #	Width
WS-SSR-45	53.5"
WS-SSR-57	66"

Note: the rotisserie is about 9 inches wider than the charbroiler upon which it is set.

Total height of unit with 45" or 57" charbroiler is 66".

Unit Shipping Weight 300 lbs.

Job Name

Model WS-SSR

Item#

Fuel Type Use with Solid Fuel Charbroiler



Shown on Mt. Saint Helens Charbroiler with optional pan rails and heat shield.

The Okanogan Single Spit Rotisserie is an option for our Mt. Saint Helens and Mt. Shuksan solid fuel charbroilers. The rotisserie mounts directly to the charbroiler (45" and 57" Mt. Saint Helens, 46" and 58" Mt. Shuksan). It rides on a rail system that allows the rotisserie to be pushed to the back of the broiler for rotisserie cooking of product, or pulled to the front of the broiler, for easy loading and unloading. The Okanogan Single Spit Rotisserie increases food production from the broiler without increasing fuel consumption; the same fire is used to generate coals for the firebox and to cook food items on the spit.

The Okanogan is designed to accept all current Wood Stone rotisserie baskets and spits. The unit comes ready to plug into a standard 120 volt outlet.

See the **Rotisserie Accessories** page for a variety of spit options.



An ongoing program of product improvement may require us to change specifications without notice.
Revised January 2008

WOOD STONE CORPORATION
1801 W. Bakerview Rd.
Bellingham, WA 98226 USA

Toll Free (800) 988-8103
Tel (360) 650-1111
Fax (360) 650-1166

info@woodstone-corp.com or visit www.woodstone-corp.com