



Charbroiler is shown with optional pan rails and shelves.

The Mt. Saint Helens Charbroiler

The Mt. Saint Helens Charbroiler features a "heat-sink"-style firebox cast from dense, durable high-temperature ceramic. The firebox is designed to store and radiate heat evenly. The grill is composed of 6" x 24" sliding cast iron grates which rest on our unique warp-resistant, stainless steel frame system. The entire grill frame slides toward the front or back of the unit to facilitate easy fire access. A blazing fire along the rear of the firebox will produce coals, which when pulled forward, will keep the entire firebox saturated with heat. An experienced solid-fuel grill operator will be impressed by the even heat delivery and fuel saving design of the Mt. Saint Helens. The insulated firebox is mounted on top of a stainless steel wood storage cabinet. The unit comes standard on 4 heavy-duty, swiveling casters (2 with locking brakes). An ash shovel and coal/grate tool are included with the charbroiler.

Optional Accessories

- **Stainless Steel Shelves:** Stainless steel shelves and pan rails are available. Two shelves and/or pan rails can be mounted on the front and sides of the charbroiler. On 72 inch models the front can accommodate three pan rails and/or shelves.

- **Stainless Steel Ash Dolly:** Wood Stone's double compartment, locking ash dolly provides a means for safe, clean ash storage and disposal.

- **Stainless Steel Wood Storage Cart:** Wood storage carts can be shipped with the Mt. St. Helens Charbroiler.



- **Wood Moisture Meter:** Eliminate the problem of wet fuelwood with Wood Stone's portable moisture meter.



Rotisserie shown on charbroiler with wood storage cabinet.



- **Single Spit Rotisserie:**

Wood Stone's single-spit rotisserie is powered by an electric motor and is available for the 45-inch and the 57-inch (floor or counter-top) Mt. Saint Helens Charbroilers.



(For Charbroilers)

Revised October 2007

An ongoing program of product improvement may require us to change specifications without notice.

Wood Stone

1801 W. Bakerview Rd. Corporation
Bellingham, WA 98226 USA

Toll Free (800) 988-8103

Tel (360) 650-1111

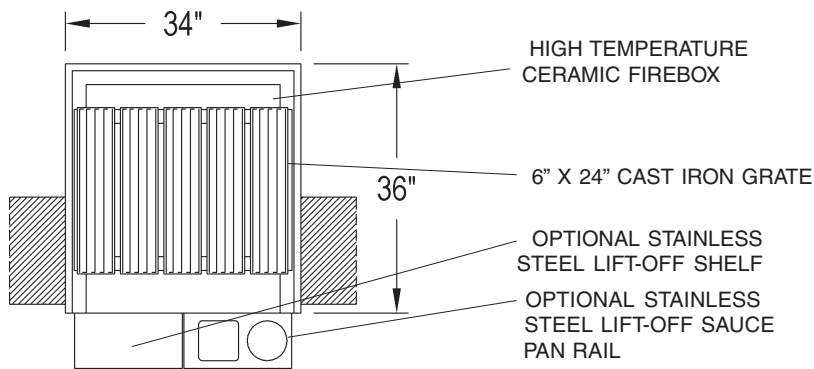
Fax (360) 650-1166

Mt. Saint Helens

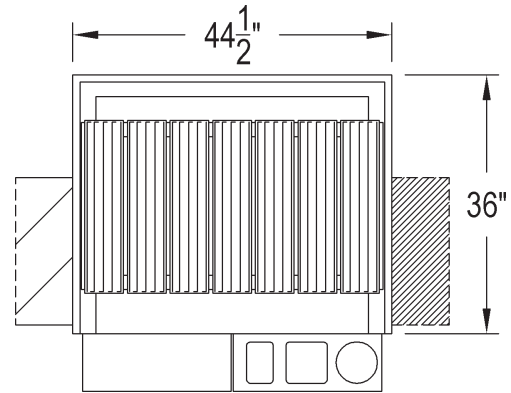
Solid-Fuel Charbroiler

Model

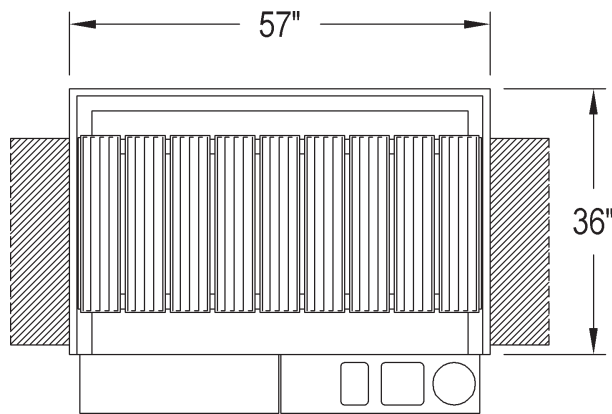
WS-SFB-(34,45,57)



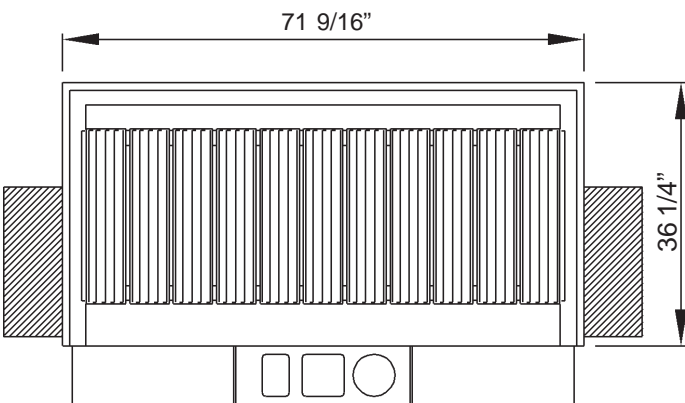
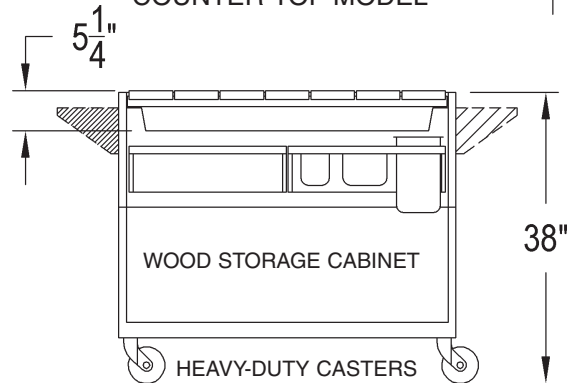
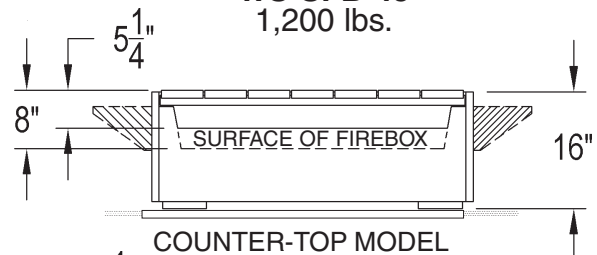
WS-SFB-34
1,000 lbs.



WS-SFB-45
1,200 lbs.




WS-SFB-57
1,300 lbs.



WS-SFB-72
1700 lbs.

All units shown with optional stainless steel shelves and pan rails.

Model	Stainless Steel Shelf Dimensions	Pan Rail Contents
SFB-34	15 1/4" x 8"	1/6 size (1.8 qt.) 2.5 qt. round
SFB-45	20 3/4" x 8"	1/9 size (1.1 qt.) 1/6 size (1.8 qt.) 2.5 qt. round
SFB-57	27" x 8"	1/6 size (1.8 qt.) 2.5 qt. round
SFB-72	20 3/4" x 8"	

 Optional locations for stainless steel shelf and/or pan rail.



Wood Stone Corporation

1801 W. Bakerview Rd.
Bellingham, WA 98226 USA

Toll Free (800) 988-8103
Tel (360) 650-1111
Fax (360) 650-1166

An ongoing program of product improvement may require us to change specifications without notice.

Revised October 2007