

MT. SHUKSAN

Deep Box Solid Fuel Charbroiler



OPTIONAL ACCESSORIES

Stainless Steel Ash

Dolly: Wood Stone's double compartment, locking ash dolly provides a means for safe, clean ash storage and disposal.



Stainless Steel

Wood Storage Cart: Wood storage carts can be shipped with the Mt. St. Helens Charbroiler.



Wood Moisture Meter:

Eliminate the problem of wet fuelwood with Wood Stone's Mini Ligno E portable moisture meter.



Okanogan Single

Spit Rotisserie: Wood Stone's single-spit rotisserie is powered by an electric motor and is available for the 46-inch and the 58-inch Mt. Shuksan Charbroilers. (See Okanogan Single Spit Rotisserie Spec Sheet for more details).



Job Name	
Model	WS-SFB-DB
Item#	
Fuel Type	Solid Fuel



The Mt. Shuksan Charbroiler features a "heat sink" style firebox; cast from dense, durable high-temperature ceramic. The firebox is contained within a heavy-duty, insulated, stainless steel cabinet. The Mt. Shuksan is designed to store and radiate heat evenly. The grill is composed of 6" x 24" sliding cast iron grates which rest on a warp-resistant, stainless steel frame. The grates slope upward toward the back of the firebox, to allow easier grilling. A relatively small amount of fuel (seasoned hardwood or hardwood charcoal) will keep the entire firebox saturated with heat, which is evenly radiated up to the grill surface. There are no ash dropouts or vents in the firebox, so "fuel-wasting" airflow is minimized. An experienced solid fuel grill operator will be impressed by the even heat delivery and fuel-saving design of the Mt. Shuksan. A unique lift-up door allows easy access to the firebox in order to load fuel from the front. The unit comes standard on 4 heavy-duty, swiveling casters (2 with locking brakes). An ash shovel and coal/grate tool are included with the charbroiler.



An ongoing program of product improvement may require us to change specifications without notice.
Revised October 2009

WOOD STONE CORPORATION
1801 W. Bakerview Rd.
Bellingham, WA 98226 USA

Toll Free (800) 988-8103
Tel (360) 650-1111
Fax (360) 650-1166

info@woodstone-corp.com or visit www.woodstone-corp.com

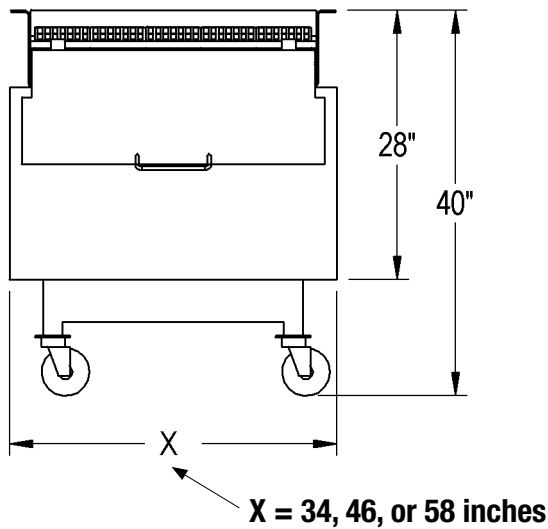


MT. SHUKSAN

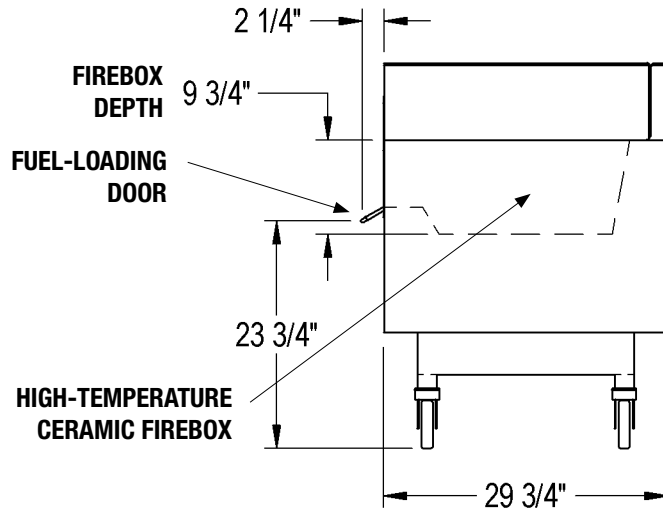
Deep Box Solid Fuel Charbroiler

Model
WS-SFB-DB

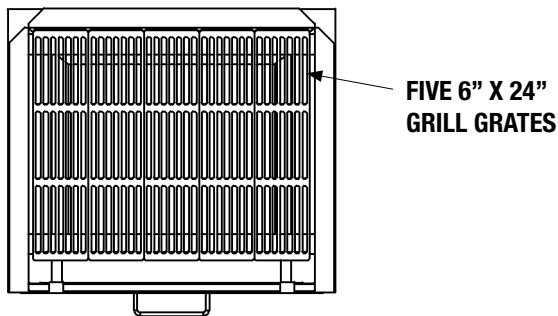
Front View



Side View



Top View



The Mt. Shuksan is also available in 46-inch and 58-inch widths. All other dimensions will be the same as those pictured on this page.

The unit weights are as follows:

WS-SFB-34-DB	1,200 lbs.
WS-SFB-46-DB	1,400 lbs.
WS-SFB-58-DB	1,700 lbs.



WoodStone

An ongoing program of product improvement may require us to change specifications without notice.
Revised October 2009

WOOD STONE CORPORATION
1801 W. Bakerview Rd.
Bellingham, WA 98226 USA

Toll Free (800) 988-8103
Tel (360) 650-1111
Fax (360) 650-1166

info@woodstone-corp.com or visit www.woodstone-corp.com