

PHOENIX 4343

Internal Transition Stone Hearth Oven



Standard Oven Model Shown with Internal Transition

Job Name

Model

WS-PX-4343-(Internal Transition)

Item#

Fuel Type

Gas-Fired

Hearth Capacity

200 mm pizzas	8
250 mm pizzas	6
300 mm pizzas	5
400 mm pizzas	2

Assuming 5-minute cook times, the approximate maximum hourly production capacity can be calculated by multiplying the above numbers by 12.

OPTIONAL ACCESSORIES

- Stainless Steel Oven Tool Set (with stainless steel hangers)
- Stack-Mounted Exhaust Fan
- Custom Oven-Mounted Exhaust Hood
- Configured for Wood Burning
- Wood Stone also manufactures a full line of accessories for stone hearth cooking

The Phoenix 4343 features a standard door opening 610 mm wide x 250 mm high. The cooking surface is 865 mm wide, and 790 mm deep, resulting in 0.68 square meters of usable deck space.

The dense, high temperature ceramic formulation of which the 205 Kg, monolithic, cast-ceramic floor and the 260 Kg, monolithic dome are cast creates a "deep heat sink" within the chamber of the oven. The hearth and dome are connected by a carefully tensioned steel exoskeleton, which ensures structural integrity and long life. The front, sides and back of the oven are enclosed with stainless steel. The oven sits on a heavy-duty, black stand which acts as a support frame. A stainless steel storage compartment is optional and can be provided in the support frame.

The ceramic interior is heated by a powerful, adjustable radiant burner located in the back of the oven chamber. The burner is controlled exclusively by the chef. The heat distribution in the oven can be adjusted to meet the needs of a variety of menu items. The Phoenix can be configured to burn either Natural Gas (methane) or Propane - gas type should be specified at time of order.

The oven arrives crated and ready for assembly. For ease of installation, the oven can be turned on its back to fit through 760 mm openings.

The Phoenix should be vented using an approved chimney, or an exhaust hood constructed and installed in accordance with all relevant local and national codes. Phoenix models with a -W in the model number must be vented in accordance with all regulations pertaining to solid fuel appliances.

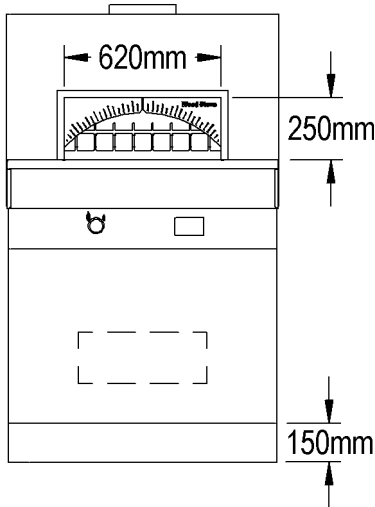


PHOENIX 4343

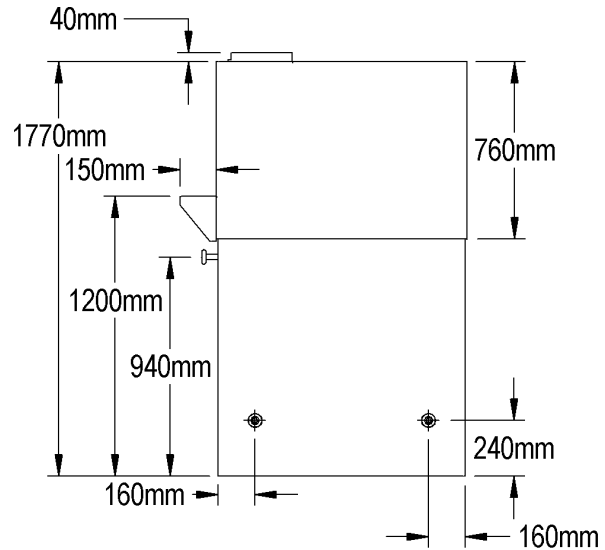
Internal Transition Stone Hearth Oven

Model
WS-PX-4343

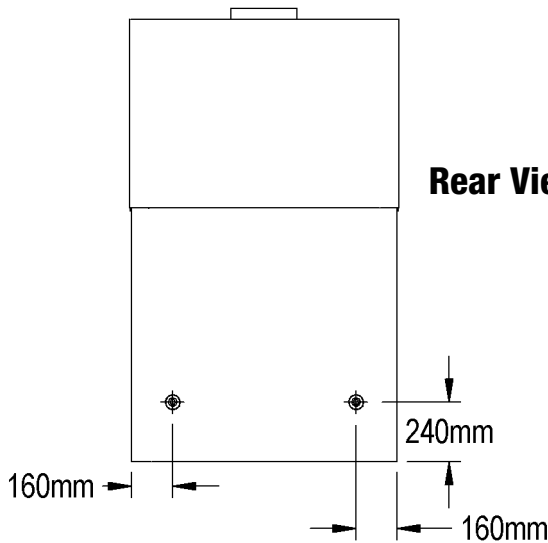
Front View



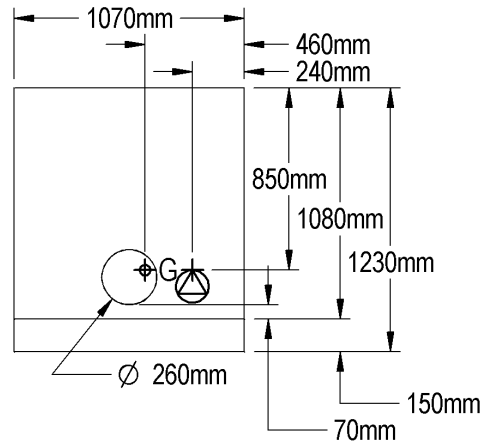
Side View



Rear View



Top View



UTILITIES SPECIFICATIONS

Gas-3/4 inch gas inlet (female threaded)
80,500 BTU Natural Gas Supply OR
68,000 BTU Propane (LP) Supply

**Unit Shipping Weight:
930 Kg**

Electrical

Specify AC Voltage, 1 amp, 50/60 Hz

All utility connections made on the back of the oven control box. Remove front or rear panel for access, use utility knockouts (provided) to route gas and electrical supplies.

VENTING INFORMATION

The Phoenix should be vented using an approved chimney, or an exhaust hood constructed and installed in accordance with all relevant local and national codes. Phoenix models with a -W in the model number must be vented in accordance with all regulations pertaining to solid fuel appliances.

Wood Stone

An ongoing program of product improvement may require us to change specifications without notice.
Revised July 2008

WOOD STONE CORPORATION

1801 W. Bakerview Rd.
Bellingham, WA 98226 USA

Toll Free (800) 988-8103

Tel (360) 650-1111

Fax (360) 650-1166

info@woodstone-corp.com or visit www.woodstone-corp.com