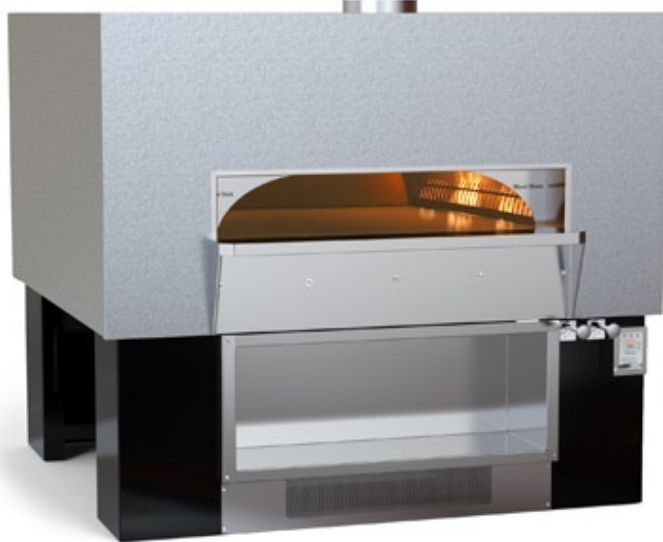


Wood Stone



FIRE DECK 9690

Stone Hearth Deck Oven



Job Name	
Model	WS-FD-9690
Item#	
Fuel Type	Gas-Fired or Multi Fuel

Hearth Capacity

8" pizzas	60
10" pizzas	40
12" pizzas	25
16" pizzas	16
18" or 20" pizzas	9

Assuming 5-minute cook times, the approximate maximum hourly production capacity can be calculated by multiplying the above numbers by 12.

OPTIONAL ACCESSORIES

- Decorative Flame
- Stainless Steel Oven Tool Set (with wall-mounting hangers)
- Stack-Mounted Exhaust Fan
- Custom Oven-Mounted Exhaust Hood
- Configured for Wood Burning (Wood burning models must be vented for solid fuel)
- Stainless Steel or Powder Coated Finishes Available for the Oven Enclosure
- Wood Stone also carries a full line of accessories for stone-hearth cooking

The Fire Deck 9690 features a standard door opening 60 inches wide x 10 inches high. The stone hearth is 72 inches wide, and 76 inches deep, resulting in 38 square feet of usable deck space. The dense, high temperature ceramic formulation of which the hearth and dome are cast creates a "deep heat sink" within the chamber of the oven. The Fire Deck is available in a variety of burner and fuel configurations. The standard unit has a single wall of radiant flame (incorporating 2 independently adjustable radiant burners), as well as a thermostatically controlled gas infrared burner beneath the oven deck. Alternatively, any or all of the radiant burners can be omitted to accommodate the use of wood as a fuel source. The ovens are constructed so that future addition of any of the burners (previously omitted) is possible.

The 4,000-pound, monolithic, cast-ceramic floor sits on 4 inches of rigid insulation and is poured to a thickness of 6 inches. The 2,400-pound, monolithic dome is cast to a thickness of 4 inches. The hearth and dome are connected by a carefully tensioned steel exoskeleton, which ensures structural integrity and long life. The body of the oven rests on a 10-gauge steel pan welded to a heavy-duty frame. The oven is wrapped with at least 2 inches of spun ceramic fiber insulation and enclosed (front, top and sides) with 16-gauge galvanized steel. The oven arrives completely assembled on heavy-duty shipping casters and ready to roll into place.

The oven vents through a 12-inch O.D. flue collar located directly above the doorway. The Fire Deck 9690 can be direct connected to a power-ventilated, grease-rated chimney or it can be vented using a Listed Type 1 exhaust hood or one constructed and installed in accordance with NFPA 96 and all relevant local and national codes. This oven must be vented in accordance with all relevant local and national codes and in a manner acceptable to the authority having jurisdiction.

IMPORTANT - Ovens with model numbers containing a -W must be vented as a solid fuel appliance. The oven can be installed with only 1-inch side clearance to combustible construction.



An ongoing program of product improvement may require us to change specifications without notice.
Revised October 2009

WOOD STONE CORPORATION
1801 W. Bakerview Rd.
Bellingham, WA 98226 USA

Toll Free (800) 988-8103
Tel (360) 650-1111
Fax (360) 650-1166

info@woodstone-corp.com or visit www.woodstone-corp.com

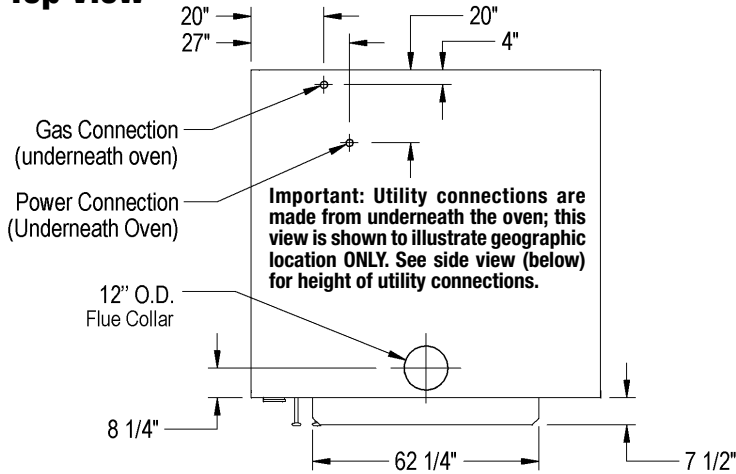


FIRE DECK 9690

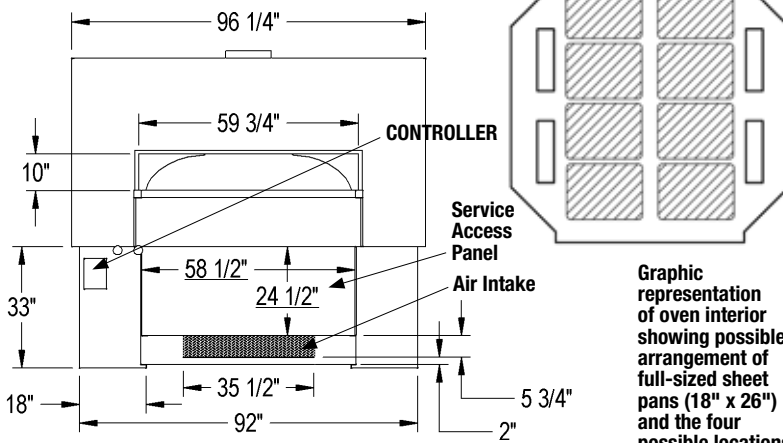
Stone Hearth Deck Oven

Model
WS-FD-9690

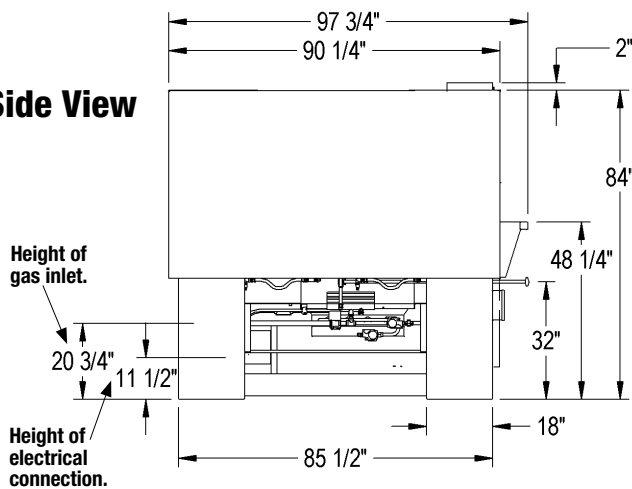
Top View



Front View



Side View



UTILITIES REQUIRED

- 120 VAC/ 4 AMP electrical connection
- 347,000 BTU (max) Natural Gas supply OR 369,000 BTU (max) Propane (LP) supply
The oven's gas inlet is 1" N.P.T. Female

VENTING INFORMATION

The Fire Deck 9690 can be direct connected to a power-ventilated, grease-rated chimney, or vented using a Listed Type 1 exhaust hood, or one constructed in accordance with NFPA 96 and all relevant local and national codes. This oven must be vented in accordance with all local and national codes and in a manner acceptable to the authority having jurisdiction.

IMPORTANT - Ovens with model numbers containing a -W must be vented as a solid fuel appliance.

BTU output per burner
Natural Gas Propane

	Natural Gas	Propane
Radiant (flame) Burner	125,000	142,000
IR Burner	97,000	85,000

**Unit Shipping Weight:
10,000 lbs.**

Guide to Fire Deck Model #s	Underfloor IR Burner	Left-side Flame Burner	Right-side Flame Burner	Wood Fire Optional	Wood Fire Mandatory	Natural Gas	Liquid Propane
WS-FD-9690-RFG-L/R-IR	1	1	1			NG	LP
WS-FD-9690-RFG-LL-IR	1	2		-W		NG	LP
WS-FD-9690-RFG-RR-IR	1		2	-W			
WS-FD-9690-RFG-L-IR	X	X		-W		NG	LP
WS-FD-9690-RFG-R-IR	X		X	-W		NG	LP
WS-FD-9690-W-IR	1				X	NG	LP
WS-FD-9690-W					X		



An ongoing program of product improvement may require us to change specifications without notice.
Revised August 2009

WOOD STONE CORPORATION
1801 W. Bakerview Rd.
Bellingham, WA 98226 USA

Toll Free (800) 988-8103
Tel (360) 650-1111
Fax (360) 650-1166

info@woodstone-corp.com or visit www.woodstone-corp.com