

BISTRO 4355 CE

Radiant Flame Gas-Fired Oven



Standard Oven Model Shown

Job Name	
Model	WS-BL-4355-RFG-CE
Item#	
Fuel Type	Gas-Fired

The Bistro 4355 features a standard door opening 620 mm wide x 250 mm high. The cooking surface is 864 mm wide, and 991 mm deep, resulting in 0.85 square meters of usable deck space.

The dense, high temperature ceramic formulation of which the 227 Kg, monolithic, cast-ceramic floor and the 329 Kg, monolithic dome are cast creates a "deep heat sink" within the chamber of the oven. The hearth and dome are connected by a carefully tensioned steel exoskeleton, which ensures structural integrity and long life. The front, sides and back of the oven body are enclosed with stainless steel. The oven sits on a heavy-duty, black stand which acts as a support frame. A stainless steel storage compartment is optional and can be provided in the support frame.

The ceramic interior is heated by a powerful, adjustable radiant burner located in the back of the oven chamber. The burner is controlled exclusively by the chef. The heat distribution in the oven can be adjusted to meet the needs of a variety of menu items. The Bistro can be configured to burn either Natural Gas or Propane - gas type should be specified at time of order.

The oven arrives fully assembled and ready for installation. Optionally, the oven can be shipped crated and ready for on site assembly.

The Bistro must be vented as a Type A or Type B₁₁ appliance, and in accordance with all applicable codes.

NATURAL GAS (METHANE)

I_{2H(20)} for use in: AT, BG, CZ, DK, EE, FI, GR, HR, HU, IS, IE, IT, LV, LT, NO, PT, RO, SK, SI, ES, SE, CH, TR, and GB

I_{2E(20/25)} for use in: DE and PL

I_{2E+(20/25)} for use in: Be and Fr

I_{2L(25)} for use in: NL

I_{2HS(25)} for use in: HU

PROPANE and PROPANE BLENDS

I_{3P(37)} for use in: FI, DE, GR, IE, HR, LU, NL, PL, SK, SI, ES, CH, TR and GB

I_{3P(50)} for use in: CY, CZ, MT and SK

I_{3+(28-30,37)} for use in: BE, CY, CZ, EE, FR, GR, IE, IT, LT, LU, LV, PT, RO, SK, ES, CH and GB

I_{3B/P(30)} for use in: BG, CY, CZ, DK, EE, FI, GR, HR, LV, LT, LU, MT, NL, NO, SK, SI, SE and TR

I_{3B/P(37)} for use in: PL

I_{3B/P(50)} for use in: AT, DE, HU, SK and CH

Hearth Capacity

200 mm pizzas	9
250 mm pizzas	7
300 mm pizzas	6
400 mm pizzas	4

Assuming 5-minute cook times, the approximate maximum hourly production capacity can be calculated by multiplying the above numbers by 12.

OPTIONAL ACCESSORIES

- Stainless Steel Oven Tool Set (with stainless steel hangers)
- Wood Burning Option (Wood burning models must be vented for solid fuel)
- Stack-Mounted Exhaust Fan
- Wood Stone also manufactures a full line of accessories for stone hearth cooking



An ongoing program of product improvement may require us to change specifications without notice.
Revised July 2010

WOOD STONE CORPORATION

1801 W. Bakerview Rd.
Bellingham, WA 98226 USA

Tel +1(360) 650-1111
Fax +1(360) 650-1166

info@woodstone-corp.com or visit www.woodstone-corp.com



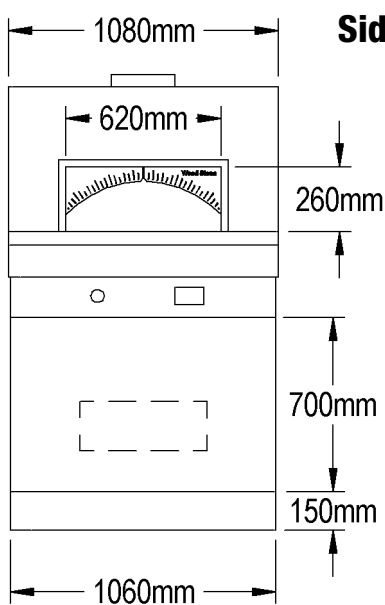
BISTRO 4355 CE

Stone Hearth Oven

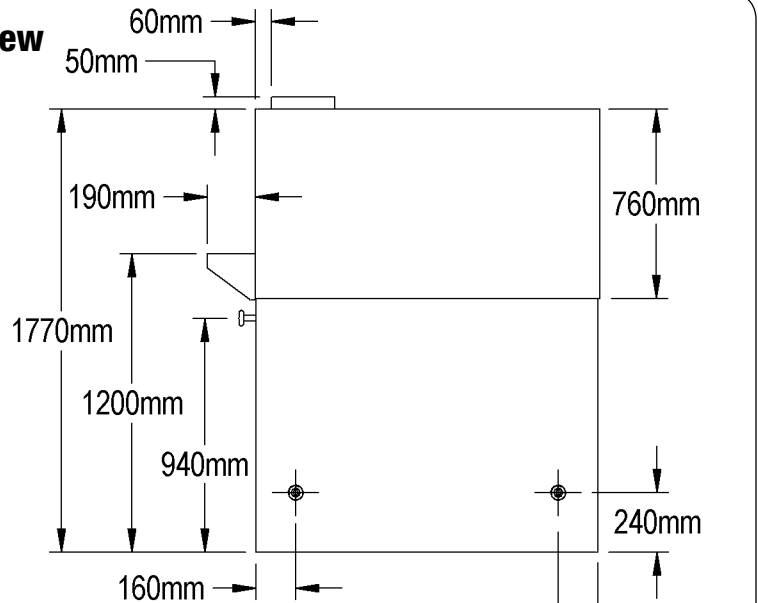
Model

WS-BL-4355-RFG-CE

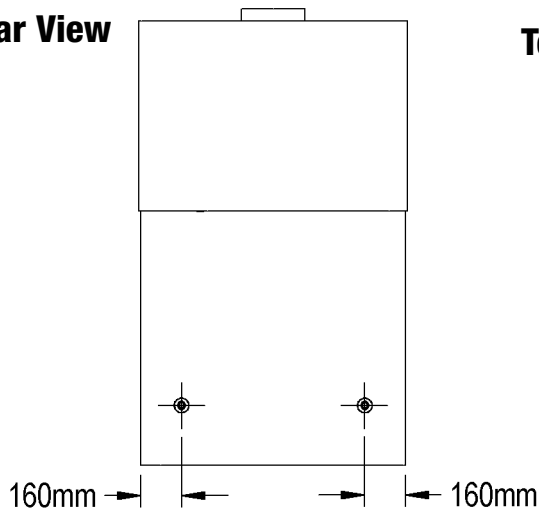
Front View



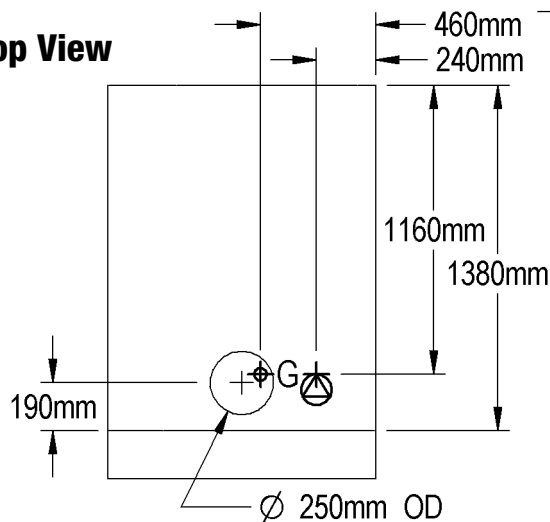
Side View



Rear View



Top View



UTILITIES SPECIFICATIONS

Gas-3/4 inch (19 mm) BPT gas inlet (female threaded)

ELECTRICAL: 230 VAC, .042 amp, 50 Hz

All utility connections made on the back of the oven control box. Remove front or rear panel for access, use utility knockouts (provided) to route gas and electrical supplies.

VENTING INFORMATION: The Bistro must be vented as a Type A or Type B₁₁ appliance, and in accordance with all applicable codes.

Inlet Pressure (mbar)				
I _{2H} and I _{2E}	I ₃₊	I _{3B/P(30)}	I _{3B/P(50)}	I _{3P}
20	28-30/37/50	30	50	30/37/50

En 437 Gas Group	I _{2H}	I _{2E}	I ₃₊	I _{3B/P(30)}	I _{B/P(50)}	I _{3P}
Declared Input (kW)	23.3	23.3	23.3	23.3	23.3	21.0

Shipping Weight: 1134 Kg



An ongoing program of product improvement may require us to change specifications without notice.
Revised July 2010

WOOD STONE CORPORATION

1801 W. Bakerview Rd.
Bellingham, WA 98226 USA

Tel +1(360) 650-1111
Fax +1(360) 650-1166

info@woodstone-corp.com or visit www.woodstone-corp.com