

## BISTRO 3030 CE

Radiant Flame Gas-Fired Oven



Standard Oven Model Shown

<b>Job Name</b>	
<b>Model</b>	WS-BL-3030-RFG-CE
<b>Item#</b>	
<b>Fuel Type</b>	<b>Gas-Fired</b>

The Bistro 3030 features a standard door opening 470 mm wide x 250 mm high. The cooking surface is 558 mm wide, and 482 mm deep, resulting in 0.26 square meters of usable deck space.

The dense, high temperature ceramic formulation of which the 79 Kg, monolithic, cast-ceramic floor and the 152 Kg, monolithic dome are cast creates a "deep heat sink" within the chamber of the oven. The hearth and dome are connected by a carefully tensioned steel exoskeleton, which ensures structural integrity and long life. The front, sides and back of the oven are enclosed with stainless steel. The oven sits on a heavy-duty, black stand which acts as a support frame. A stainless steel storage compartment is optional and can be provided in the support frame.

The ceramic interior is heated by a powerful, adjustable radiant burner located in the back of the oven chamber. The burner is controlled exclusively by the chef. The heat distribution in the oven can be adjusted to meet the needs of a variety of menu items. The Bistro can be configured to burn either Natural Gas (methane) or Propane - gas type should be specified at time of order.

The Bistro must be vented as a Type A or Type B<sub>11</sub> appliance, and in accordance with all applicable codes.

### NATURAL GAS (METHANE)

**I<sub>2H(20)</sub>** for use in: AT, BG, CZ, DK, EE, FI, GR, HR, HU, IS, IE, IT, LV, LT, NO, PT, RO, SK, SI, ES, SE, CH, TR, and GB

**I<sub>2E(20/25)</sub>** for use in: DE and PL

**I<sub>2E+(20/25)</sub>** for use in: Be and Fr

**I<sub>2L(25)</sub>** for use in: NL

**I<sub>2HS(25)</sub>** for use in: HU

### PROPANE and PROPANE BLENDS

**I<sub>3P(37)</sub>** for use in: FI, DE, GR, IE, HR, LU, NL, PL, SK, SI, ES, CH, TR and GB

**I<sub>3P(50)</sub>** for use in: CY, CZ, MT and SK

**I<sub>3+(28-30,37)</sub>** for use in: BE, CY, CZ, EE, FR, GR, IE, IT, LT, LU, LV, PT, RO, SK, ES, CH and GB

**I<sub>3B/P(30)</sub>** for use in: BG, CY, CZ, DK, EE, FI, GR, HR, LV, LT, LU, MT, NL, NO, SK, SI, SE and TR

**I<sub>3B/P(37)</sub>** for use in: PL

**I<sub>3B/P(50)</sub>** for use in: AT, DE, HU, SK and CH

### Hearth Capacity

200 mm pizzas	4
250 mm pizzas	2-3
300 mm pizzas	1
400 mm pizzas	1

Assuming 5-minute cook times, the approximate maximum hourly production capacity can be calculated by multiplying the above numbers by 12.

**Note:** Highlighted capacities are considered an operational challenge.

### OPTIONAL ACCESSORIES

- Stainless Steel Oven Tool Set (with stainless steel hangers)
- Stack-Mounted Exhaust Fan
- Wood Stone also manufactures a full line of accessories for stone hearth cooking



An ongoing program of product improvement may require us to change specifications without notice.  
Revised November 2009

### WOOD STONE CORPORATION

1801 W. Bakerview Rd.  
Bellingham, WA 98226 USA

Tel +1(360) 650-1111  
Fax +1(360) 650-1166

[info@woodstone-corp.com](mailto:info@woodstone-corp.com) or visit [www.woodstone-corp.com](http://www.woodstone-corp.com)

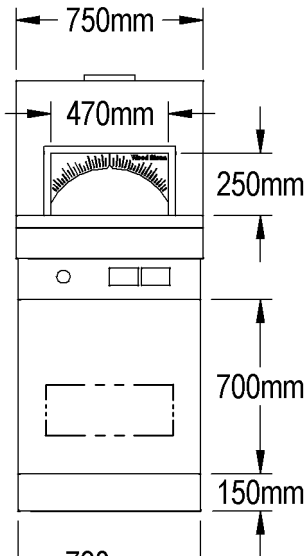


# BISTRO 3030 CE

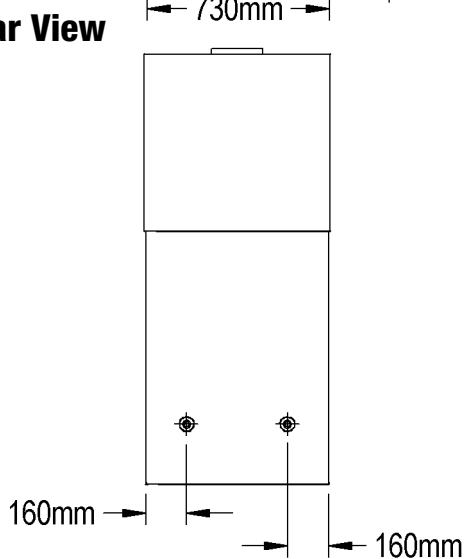
Radiant Flame Gas-Fired Oven

Model  
WS-BL-3030-RFG-CE

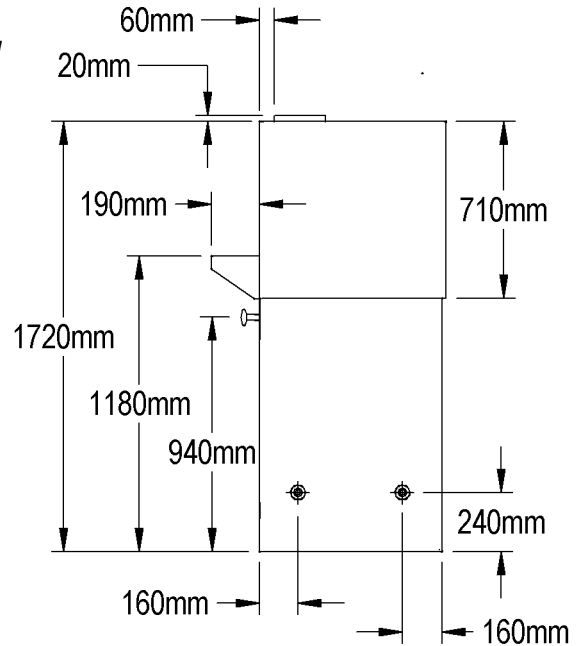
**Front View**



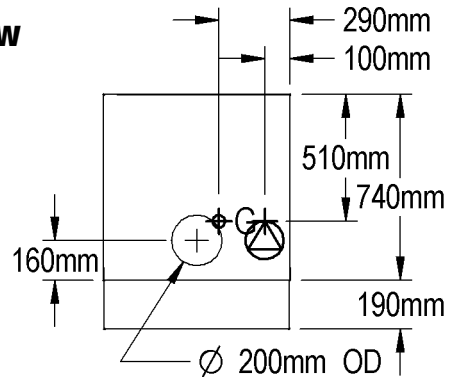
**Rear View**



**Side View**



**Top View**



**UTILITIES SPECIFICATIONS**

230-VAC/ 0.5-AMP Electrical Supply  
Gas-3/4 inch (19 mm) BPT gas inlet (female threaded)

**ELECTRICAL:** 230 VAC, .042 amp, 50 Hz  
All utility connections made on the back of the oven control box. Remove front or rear panel for access, use utility knockouts (provided) to route gas and electrical supplies.

**VENTING INFORMATION:** The Bistro must be vented as a Type A or Type B<sub>1</sub> appliance, and in accordance with all applicable codes.

Inlet Pressure (mbar)				
I <sub>2H</sub> and I <sub>2E</sub>	I <sub>3+</sub>	I <sub>3B/P(30)</sub>	I <sub>3B/P(50)</sub>	I <sub>3P</sub>
20	28-30/37/50	30	50	30/37/50

En 437 Gas Group	I <sub>2H</sub>	I <sub>2E</sub>	I <sub>3+</sub>	I <sub>3B/P(30)</sub>	I <sub>B/P(50)</sub>	I <sub>3P</sub>
Declared Input (kW)	16.1	16.1	13.6	13.6	13.6	12.3

**Shipping Weight: 499 Kg**



An ongoing program of product improvement may require us to change specifications without notice.  
Revised November 2009

**WOOD STONE CORPORATION**

1801 W. Bakerview Rd.  
Bellingham, WA 98226 USA

Tel +1(360) 650-1111  
Fax +1(360) 650-1166

info@woodstone-corp.com or visit [www.woodstone-corp.com](http://www.woodstone-corp.com)