

Wood Stone



Shown with optional shelves, pan rails, Skewer Rack and Robata Shelf

MT. SAINT HELENS

Solid Fuel Charbroiler • 26 Series



Job Name

Model

WS-SFB-5426

Item#

Fuel Type

Solid Fuel

OPTIONAL ACCESSORIES

Pan Rails & Shelves: Two shelves and/or pan rails can be mounted on the front and sides of the charbroiler.

Robata Shelf: Stainless steel shelf for warming, holding or slow cooking.

Skewer Rack for Broiler: Stainless steel rack perfect for satay, kabobs or skewers.

Ash Dolly: Double compartment, locking ash dolly provides a means for safe, clean ash storage and disposal.

Wood Storage Cart: Wood storage cart designed to hold 18 inch logs and contain accompanying bark chips and sawdust.

Moisture Meter: Eliminate the problem of wet fuelwood with our Mini Ligno E portable moisture meter.

The Mt. Saint Helens Charbroiler features a “heat-sink” style firebox cast from dense, durable high-temperature ceramic. The firebox is designed to store and radiate heat evenly. The grill is composed of 6” x 24” sliding cast iron grates which rest on our unique warp-resistant, stainless steel frame system. The entire grill frame slides toward the front or back of the unit to facilitate easy fire access. A blazing fire along the rear of the firebox will produce coals, which when pulled forward, will keep the entire firebox saturated with heat. An experienced solid fuel grill operator will be impressed by the even heat delivery and fuel saving design of the Mt. Saint Helens. The insulated firebox is mounted on top of a stainless steel wood storage cabinet. The unit comes standard on 4 heavy-duty, swiveling casters (2 with locking brakes). An ash shovel and coal/grate tool are included with the charbroiler.

A wide choice of accessories allows you to customize and further increase the culinary possibilities of this versatile piece of equipment



Wood Stone

An ongoing program of product improvement may require us to change specifications without notice.
Revised August 2011

WOOD STONE CORPORATION
1801 W. Bakerview Rd.
Bellingham, WA 98226 USA

Toll Free (800) 578-6836
Tel (360) 650-1111
Fax (360) 734-0223

info@woodstone-corp.com or visit woodstone-corp.com



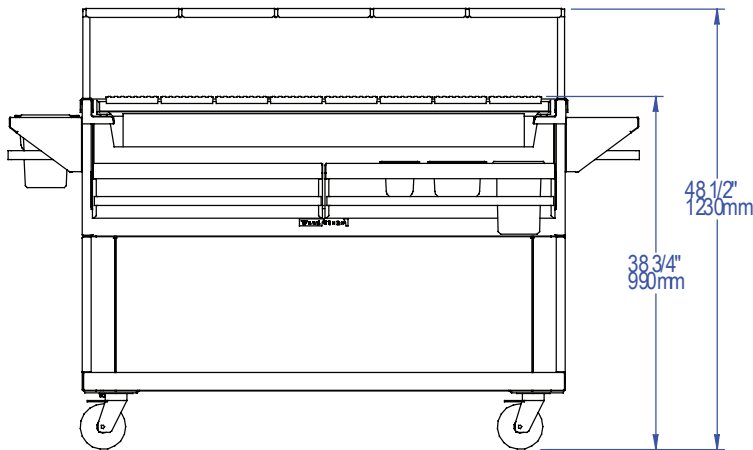
MT. SAINT HELENS

Solid Fuel Charbroiler

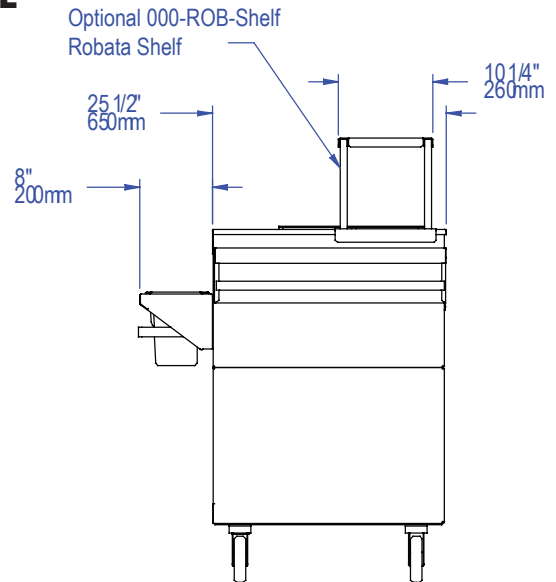
Model
WS-SFB-5426

PLEASE NOTE: General Arrangements shown with OPTIONAL accessories (Robata Shelf, Pan Rail & Shelves)

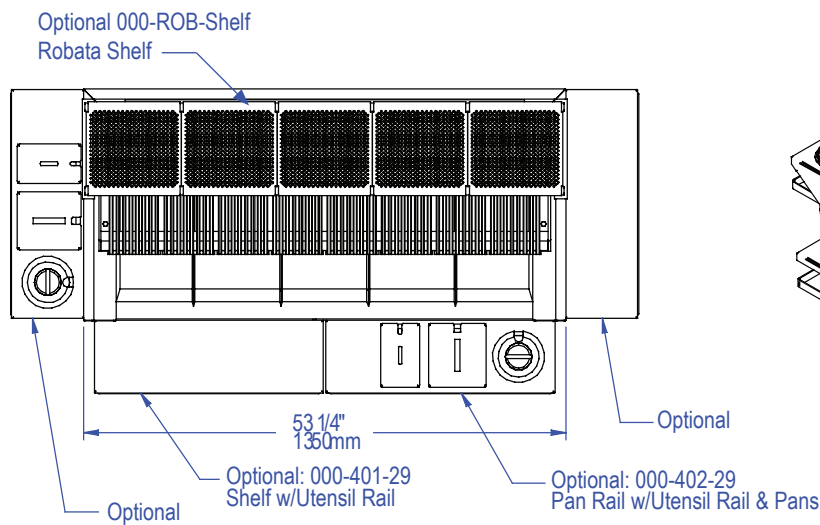
FRONT



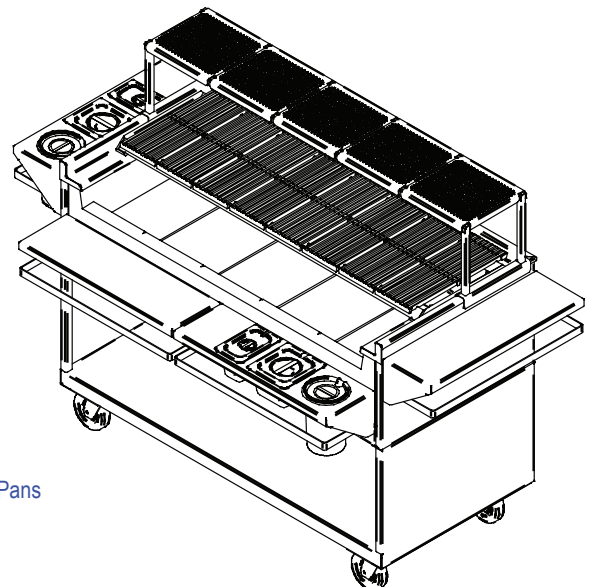
SIDE



TOP



ISO



WoodStone

An ongoing program of product improvement may require us to change specifications without notice.
Revised August 2011

WOOD STONE CORPORATION
1801 W. Bakerview Rd.
Bellingham, WA 98226 USA

Toll Free (800) 578-6836
Tel (360) 650-1111
Fax (360) 734-0223

info@woodstone-corp.com or visit woodstone-corp.com