

Wood Stone



VASHON

Stone Hearth Oven



Job Name	
Model	WS-IS-VA-CT
Item#	

Hearth Capacity

8" pizzas	2
10" pizzas	2
12" pizzas	1
14" pizzas	1

FEATURES

- Live flame
- Compact size
- Cooks like a stone hearth oven
- No external venting system required
- Even cooking environment
- Rapid heat up time
- Programmable control panel
- Simple operation
- Ceramic floor construction
- Fully ETL Listed

Wood Stone's Vashon Stone Hearth Countertop Oven opens up even more possibilities for using stone hearth cooking in your foodservice operation.

The Vashon is presented in a sealed chamber with a beautiful live flame. This electric oven with a gas display flame offers the simplicity of a standard oven with the visual and cooking advantages of a stone hearth oven.

The Vashon is engineered and designed to fit on compact countertop spaces and measures 30" wide, 32" tall and 27" deep. The ceramic cooking surface measures 19.5" wide and 14.5" deep and can be used to prepare fresh or frozen pizza, hot sandwiches, appetizers and more.

All of these features while incorporating the beautiful display of a live flame and the flavor profiles that can only be obtained with a stone hearth oven.



An ongoing program of product improvement may require us to change specifications without notice.
Revised November 2009

WOOD STONE CORPORATION
1801 W. Bakerview Rd.
Bellingham, WA 98226 USA

Toll Free (800) 988-8103
Tel (360) 650-1111
Fax (360) 650-1166

info@woodstone-corp.com or visit www.woodstone-corp.com

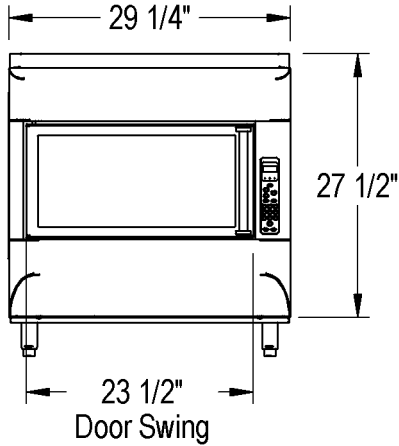


VASHON

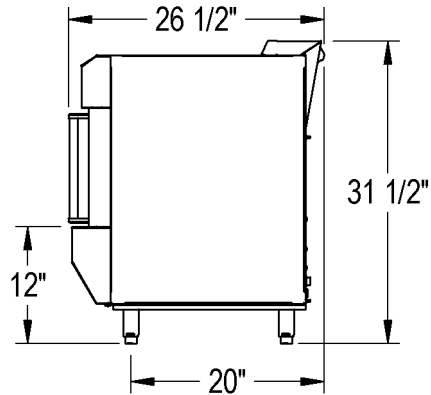
Stone Hearth Oven

Model
WS-IS-VA-CT

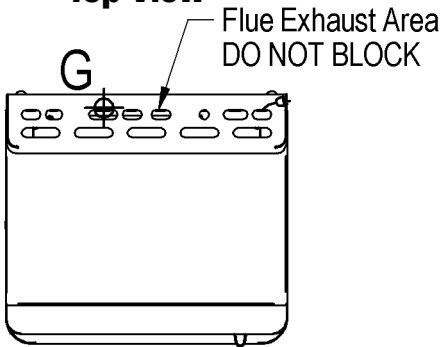
Front View



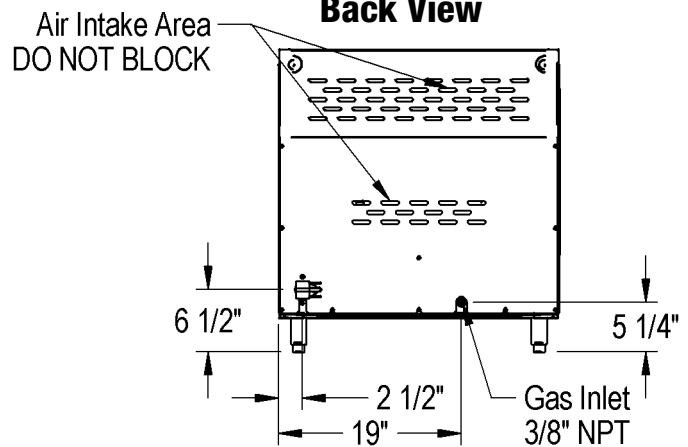
Side View



Top View



Back View



UTILITIES SPECIFICATIONS

Gas- 3/4 inch gas inlet (female threaded)
Input Rating: 9,000 BTU/hr Natural Gas Supply
Manifold Pressure: 3.5 w.c.
Supply Pressure-
 Nominal: 7.0" w.c.
 Minimum: 4.5" w.c.
 Maximum: 10.5" w.c.
 OR
Propane-
Input Rating: 7,500 BTU/hr Propane (LP) Supply
Manifold Pressure: 10.0" w.c.

Supply Pressure-
 Nominal: 11.0" w.c.
 Minimum: 11.0" w.c.
 Maximum: 13.0" w.c.

Electrical

Oven is configured to run on:
 208/240 VAC, 40 amp, 50/60 Hz
 A 2 wire with ground, single phase. A NEMA 6-50P range cord is provided with the oven.
 Connect to an individual branch circuit rated at 40 amps.

VENTING INFORMATION

No venting system required.

CLEARANCES

0" side clearance
 0" back clearance
 18" top clearance

Unit Shipping Weight: 300 lbs.



An ongoing program of product improvement may require us to change specifications without notice.
 Revised November 2009

WOOD STONE CORPORATION

1801 W. Bakerview Rd.
 Bellingham, WA 98226 USA

Toll Free (800) 988-8103

Tel (360) 650-1111

Fax (360) 650-1166

info@woodstone-corp.com or visit www.woodstone-corp.com