

SATAY GRILL

Solid Fuel Satay (Saté) Charbroiler



OPTIONAL ACCESSORIES

Stainless Steel Shelves: (Shown on the unit)
Stainless steel shelves and pan rails are available. Two shelves and/or pan rails can be mounted on the front and sides of the charbroiler. On 72-inch models the front can accommodate three pan rails and/or shelves.

Stainless Steel Ash Dolly: Wood Stone's double compartment, locking ash dolly provides a means for safe, clean ash storage and disposal.



Stainless Steel Wood Storage Cart:

Wood storage carts can be shipped with the Mt. St. Helens Charbroiler.



Wood Moisture Meter:

Eliminate the problem of wet fuelwood with Wood Stone's Mini Ligno E portable moisture meter.



Robata Grill:

An optional configuration of the Satay Grill which allows for warming, holding or slow cooking, perfect for traditional Robata style cooking.



*Rotisserie shown on charbroiler with wood storage cabinet

Job Name	
Model	WS-SFB-SAT
Item#	
Fuel Type	Solid Fuel



Shown with optional shelves and pan rails and without grill grates.

The Satay (Saté) charbroiler features a "heat-sink" style firebox cast from dense, durable high-temperature ceramic. The firebox is designed to store and radiate heat evenly. The lower grill is composed of three 8-inch x 15-inch cube style cast iron grates which rest on our unique warp-resistant, stainless steel frame system. The entire grill frame slides toward the front or back of the unit to facilitate easy fire access. The upper tier is composed of individual stainless steel bars on which the Satays can be placed upon and grilled. A blazing fire along the rear of the firebox will produce coals, which when pulled forward, will keep the entire firebox saturated with heat. The design allows for traditional Southeast Asian style cooking with real solid fuel flavor and the excitement of a live fire.

The insulated firebox is mounted on top of a stainless steel wood storage cabinet. The unit comes standard on 4 heavy-duty, swiveling casters (2 with locking brakes). An ash shovel and coal/grate tool are included with the charbroiler.



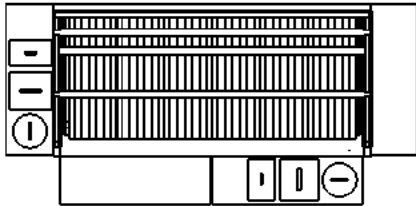
SATAY GRILL

Solid Fuel Satay (Saté) Charbroiler

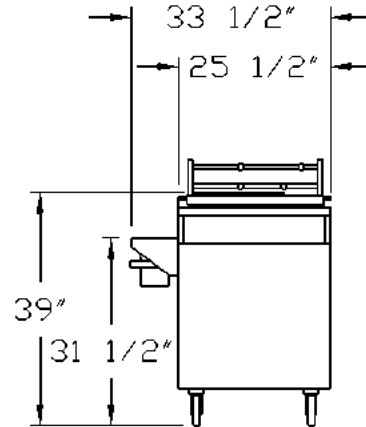
Model

WS-SFB-SAT

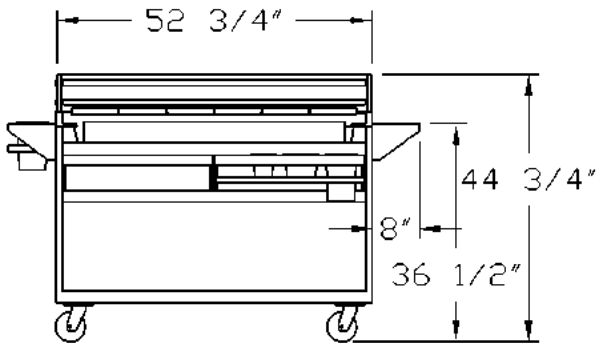
Top View



Side View



Front View



All units shown with optional stainless steel shelves and pan rails.



An ongoing program of product improvement may require us to change specifications without notice.
Revised September 2008

WOOD STONE CORPORATION
1801 W. Bakerview Rd.
Bellingham, WA 98226 USA

Toll Free (800) 988-8103
Tel (360) 650-1111
Fax (360) 650-1166

info@woodstone-corp.com or visit www.woodstone-corp.com