

The SG-BDL-O-WS ventilator is manufactured by Gaylord Industries specifically for Wood Stone ovens. The eyebrow-type hood mounts directly on top of the oven, over the flue collar and overhangs the oven doorway. This ventilator is designed to capture all the solid-fuel exhaust from the oven flue collar and also to draw warm air away from the front of the oven. The hood comes complete with a pre-drilled mounting flange and all the hardware necessary for mounting the hood to the top of the oven.

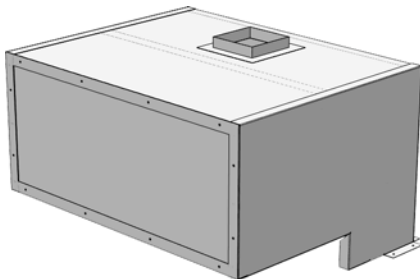
The hood is constructed of 18-gauge stainless steel (#4 finish on exposed sides) and is equipped with baffle-type filters for removal of grease from the exhaust stream. The Wood Stone SG-BDL-O-WS is listed by UL, ULC and NSF. Its construction meets the requirements of NFPA-96 as well as those of all national mechanical codes. Spark arrestor filters are available as an option and must be used in all solid fuel installations.

The hood can be used in conjunction with one of Wood Stone's variable-speed exhaust fans (**see page 59**) to create a very effective and responsive exhaust system. All ductwork beyond the ventilator duct take-off collar is to be provided and installed by others in accordance with applicable codes.

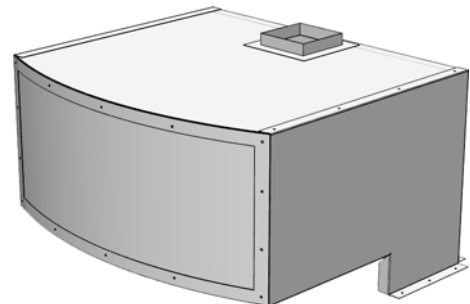
All hoods are pre-piped for ANSUL R-102 Fire Suppression.

Options

- Flat Front or Curved Front Design
- Solid Brass Trim



FLAT FRONT DESIGN



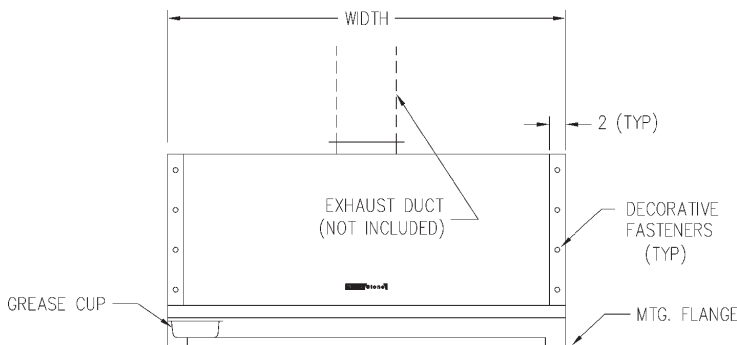
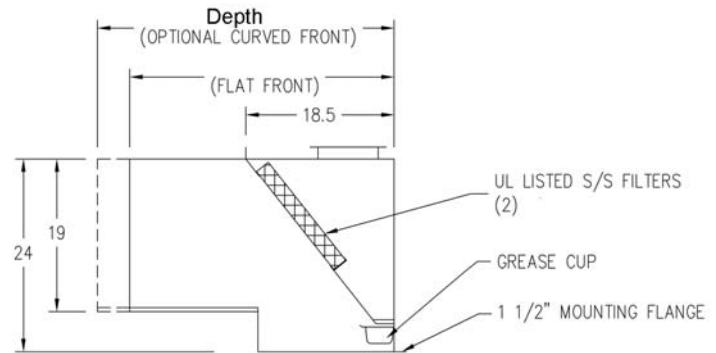
CURVED FRONT DESIGN



Oven-Mounted Exhaust Hood

Model

SG-BDL-0-WS



Call Wood Stone for exact dimensional and installation specifications of all Gaylord hoods for various MS and Fire Deck Series oven sizes. See page 59 for specifications on *Exhausto* fans for Wood Stone exhaust hoods.

		Oven Model Number								
		WS-MS-4	WS-MS-5	WS-MS-6	WS-MS-7	WS-MS-8	WS-FD-6045	WS-FD-8645	WS-FD-9660	WS-FD-9690
Width		30"	47"	47"	48"	63"	50"	72"	72"	72"
Depth	Flat Front	33"	38"	38"	33"	33"	33"	33"	33"	33"
	Curved Front	37"	42"	42"	37"	37"	37"	37"	37"	37"
Required CFM		450	685	685	700	920	730	1050	1050	1050
Duct Size		6"x 6"	7.5"x7.5"	7.5"x7.5"	7.5"x7.5"	8.5"x8.5"	7.5"x7.5"	9"x9"	9"x 9"	9"x9"
Static Pressure		0.80"	0.80"	0.80"	0.80"	0.80"	0.80"	0.80"	0.80"	0.80"
Weight in Lbs.		125	175	175	200	300	225	350	350	350

Revised November 2007