



STONE-FIRED COOKING EQUIPMENT

Gas-Fired Tandoor Oven

WS-GFT-3636 and WS-GFT-3330

Installation and Operation Manual

Additional Copies Available Upon Request

1801 W. Bakerview Rd. Bellingham WA 98226

Toll-Free 800-988-8103 Tel. 360-650-1111 Fx. 360-650-1166

www.woodstone-corp.com

Revised June 2006

Wood Stone WS-GFT-3636-(NG, LP),
WS-GFT-3330-(NG,LP)
Tandoor Installation and
Operating Instructions

DO NOT THROW THIS MANUAL AWAY

RETAIN THIS MANUAL FOR FUTURE REFERENCE.

Additional copies of this manual and prompt responses to service/maintenance questions are available from Wood Stone @ 800-988-8103.

IMPORTANT: Consult your local gas supplier for a statement outlining a procedure to be followed in the event you smell gas. Post the statement in a prominent location.

FOR YOUR SAFETY

Do not store or use gasoline or other flammable vapors or liquids in the vicinity of this or any other appliance.
Also, always keep the area under and around this appliance free and clear of any and all combustible materials.

It is recommended that this appliance be installed, maintained and serviced by authorized professionals.

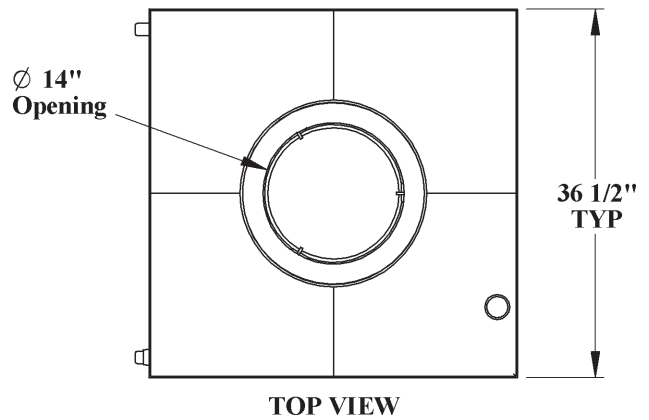
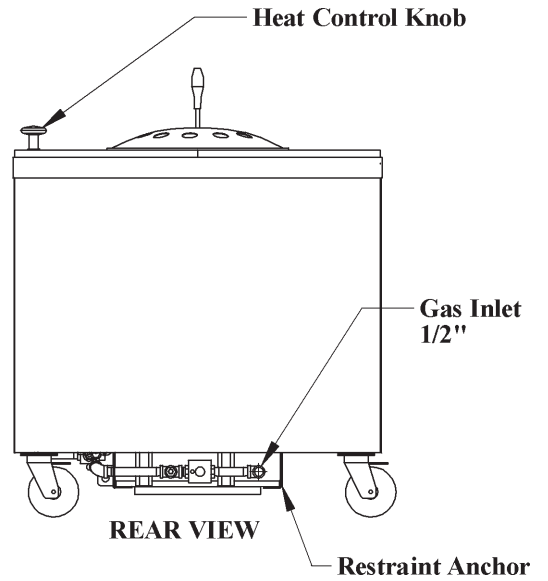
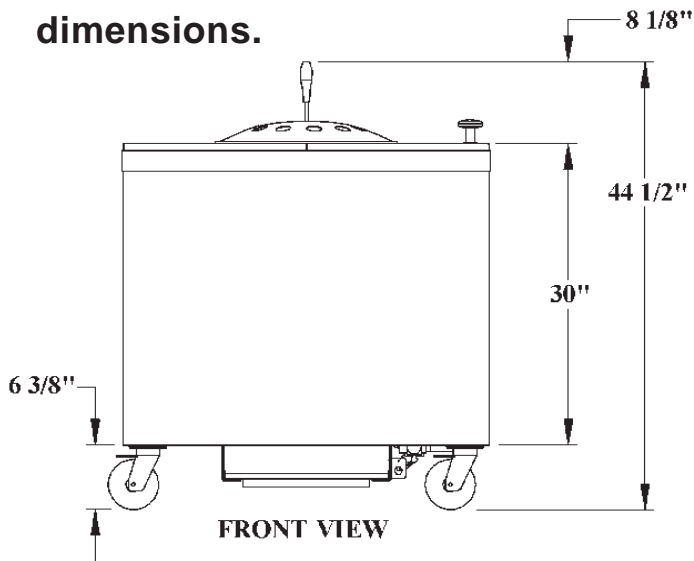
WARNING: Improper installation, adjustment, alteration, service or maintenance can result in property damage, injury or death. Read the installation, operation and maintenance instructions thoroughly before installing or servicing this equipment.

WARNING

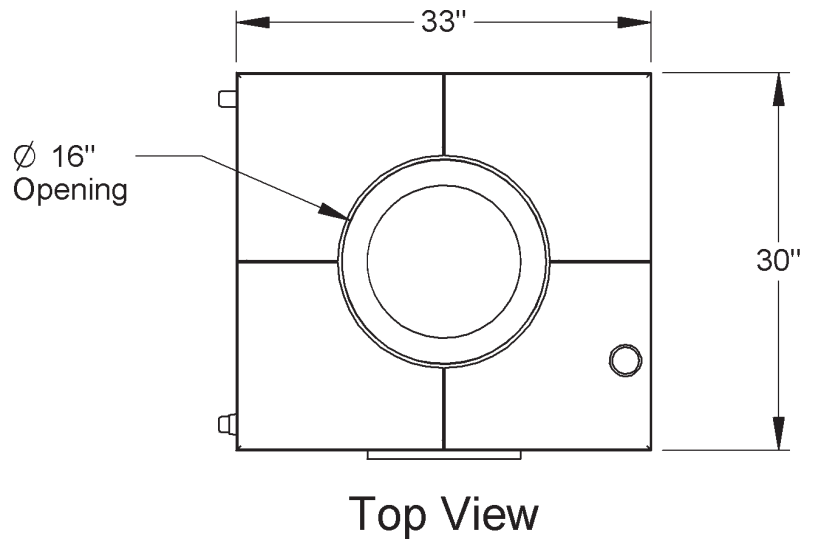
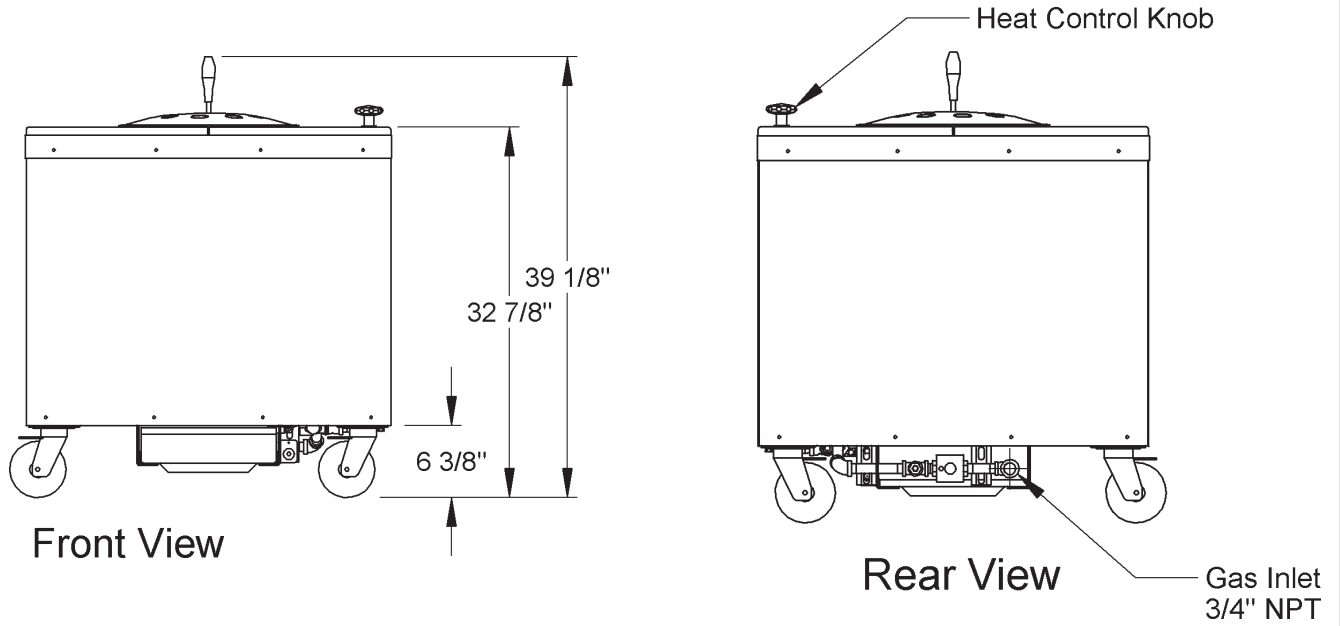
This product must be installed by a Licensed Plumber or Gas Fitter when installed within the Commonwealth Of Massachusetts.

Wood Stone's gas-fired Tandoor was tested and approved by Intertek Testing Services, as specified by ANSI Z83.11-2002, CGA 1.8-2002. It was also inspected for compliance with ANSI/NSF Standard 4. It bears the ETL marks for safety and sanitation.

WS-GFT-3636 dimensions.



WS-GFT-3330 dimensions.




INSTALLATION CLEARANCES

The Wood Stone gas-fired tandoor should be installed with at least **1-inch side clearance** to combustible construction. The unit should be installed on a noncombustible floor, or one provided with a noncombustible covering that extends at least 36-inches in all directions. Any combustible construction above (overhanging) the appliance should be protected in a manner acceptable to the authority having jurisdiction.

ENCLOSURES

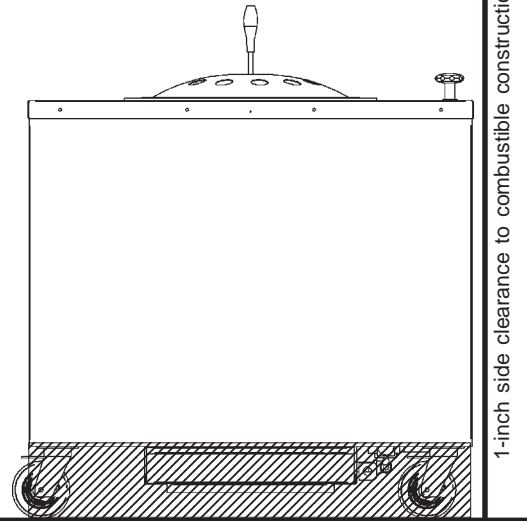
If the appliance is enclosed, provisions should be made so that the appliance can easily be removed from the enclosure.

 The shaded area in the figure must be left unobstructed, for critical combustion air, and easily accessible, for removal of the drip/debris pan and operation of the pilot safety valve. If this area must be covered, the cover should be easily removable and heavily perforated.

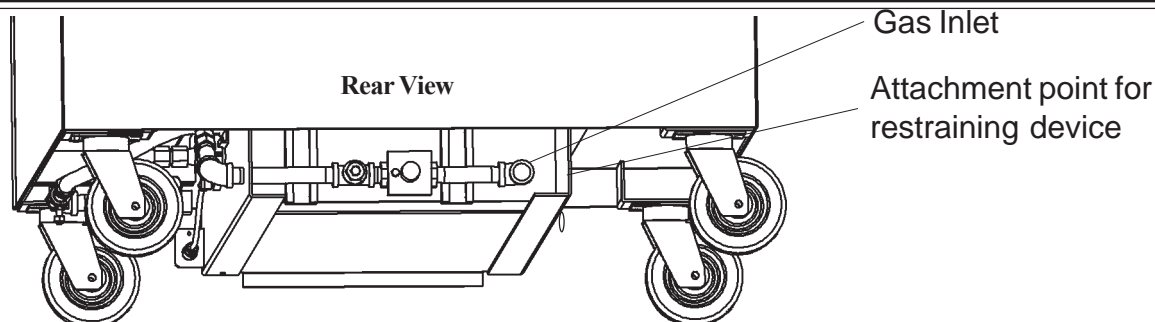
VENTING

The Wood Stone gas-fired tandoor must be installed under an appropriate NFPA 96 approved exhaust hood. Refer to local and/or national codes for hood specification requirements. The hood must be designed for the removal of the combustion products of gas, as well as the cooking vapors related to the intended use of the oven.

Combustible construction overhanging the appliance should be protected in a manner acceptable to the authority having jurisdiction.



Noncombustible floor, or one protected in a manner acceptable to the authority having jurisdiction, extending 36 inches in all directions



GAS CONNECTION

This appliance is equipped with casters; it must be installed with the casters supplied, a connector complying with *ANSI Z21.69* or *CAN/CGA 1-6.9* and a quick disconnect device complying with *ANSI Z21.41* or *CAN 1-6.9*. It must also be installed with restraining means to guard against transmission of strain to the connector.

IMPORTANT: The gas supply to this appliance should be equipped with an individual appliance shutoff valve that is capable of completely isolating the appliance from the main gas supply. This valve should be installed in such a manner as to be readily accessible to the operator of the appliance.

The Wood Stone gas-fired tandoor is equipped with a 1/2 - inch NPT female gas connection, located on the underside of the rear of the unit. Anchor points for the restraining means are provided on the underside of the tandoor; they are holes punched in the rear portion of the drip/debris pan rails.

GAS RATINGS

The WS-GFT-3636-NG is rated for 55,000 Btu Natural Gas input at a 4.0" W.C. manifold pressure. The WS-GFT-3330-NG is rated at 35,000 Btu Natural Gas Input at 4.0" W.C. manifold pressure.

The WS-GFT-3636-LP is rated for 50,000 Btu Propane input at a 10.0" W.C. manifold pressure. The WS-GFT-3330-LP is rated for 35,000 Btu Propane input at a 10.0" W.C. manifold pressure.

THIS APPLIANCE IS NOT FOR USE WITH SOLID FUEL

Use of solid fuel will void the warranty.

Gas Code Limitations

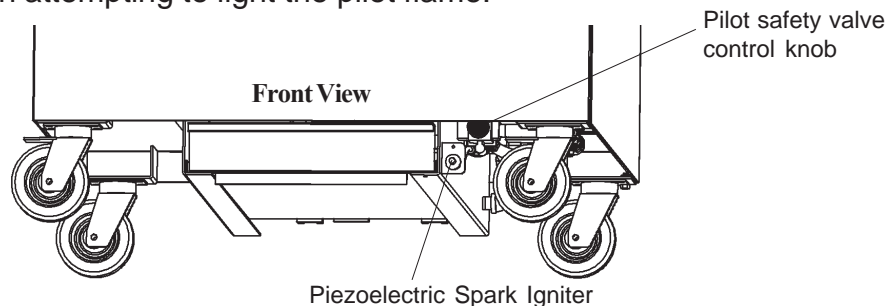
The installation of this appliance must conform with local codes, or in the absence of local codes, with the National Fuel Gas Code, ANSI Z223.1, The Natural Gas installation Code CAN/CGA-B149.1 or the Propane Installation Code, CAN/CGA-B149.2, as applicable including:

The appliance and its individual shutoff valve (supplied by others) must be disconnected from the gas supply piping system during any pressure testing of that system at test pressures in excess of 1/2 psi (3.45 kPa).

The appliance must be isolated from the gas supply piping system by closing its individual manual shutoff valve (supplied by others) during any pressure testing of the gas supply piping system at test pressure, equal to or less than 1/2 psi (3.45 kPa).

PILOT LIGHTING PROCEDURE

It is recommended that the Tandoor's main burner control knob (on top of unit) be turned to the OFF position when attempting to light the pilot flame.



1. Turn the gas control knob on the safety valve to the PILOT position.
2. Push down on the knob and light the pilot immediately by pressing the red button of the spark igniter. Press the igniter every 2 seconds until a pilot flame is established. Hold the knob down for one full minute after lighting the pilot.
3. Release the gas control knob; the pilot flame should continue to burn. If the pilot flame does not remain lit, turn the gas control valve to the OFF position, **wait 5 minutes**, and then repeat the steps above.
4. Once pilot is established, turn the gas control knob on the safety valve (counterclockwise) from the PILOT to the ON position. NOTE: failing to turn the gas control knob to the full ON position will reduce the flow of gas, and could result in poor ignition of the main burner.
5. Use the control knob on top of the tandoor to control the height of the cooking flame.

FIRST FIRING

The first time the tandoor is fired, the heatup should be slow and steady. Hold the burner at a very low flame (control valve set at '1' on models that are marked) for at least 5 hours before gradually increasing the flame intensity. Following this procedure will safely saturate the vessel with heat. You may notice some small "crazing" cracks in the ceramic vessel after a few heat-ups and cool-downs; don't be alarmed; this is normal, and will not affect the longevity or performance of the tandoor.

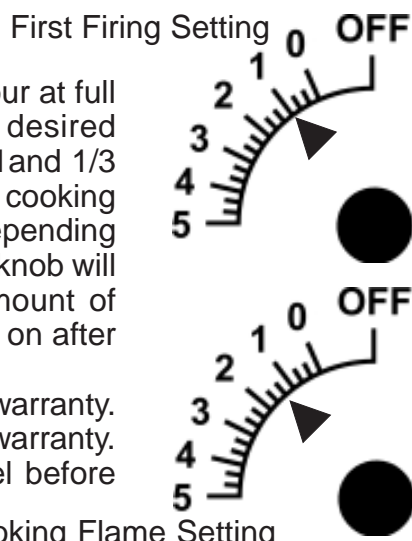
DAILY OPERATION

The Tandoor will need to be heated for approximately one hour at full flame height with the lid on. Once the vessel is at the desired temperature, remove the cover and set the control valve to 1 and 1/3 (1.3). This should maintain a good starting temperature for cooking breads and proteins. Note that this setting may vary slightly depending on gas type (NG or LP) and other factors. The burner control knob will need to be used to adjust the heat, depending on the amount of production required. The tandoor will overheat if the lid is left on after heat-up.

Use of ceramic briquettes is unnecessary and will void the warranty. Seasoning for the vessel is unnecessary and will void the warranty. Plain water may be applied with a damp cloth to the vessel before each use.

CLEANING

Debris that falls into the tandoor will accumulate in the drip/debris tray under the unit. This tray should be checked periodically and emptied as necessary. Any accumulation of soil on the ceramic vessel can be removed (if desired) by operating the tandoor at full flame until the buildup is gone. The stainless cabinet, and granite top of the unit should be cleaned as necessary, using a mild detergent and a nonabrasive scouring pad.



Wood Stone warrants its equipment to the original purchaser against defects in material or manufacture for a period of one year from the original date of purchase, subject to the following exclusions and limitations.

EXCLUSIONS

The warranties provided by Wood Stone do not apply in the following instances:

1. In the event that the equipment is improperly installed. Proper installation is the responsibility of the installer; proper installation procedures are prescribed by the Wood Stone installation manual.
2. In the event the equipment is improperly maintained. Proper maintenance is the responsibility of the user; proper maintenance procedures are prescribed in the Wood Stone installation manual.
3. In the event that the failure or malfunction of the appliance or any part thereof is caused by abnormal use or is otherwise not attributable to defect in material or manufacture.
4. In the event that the appliance, by whatever cause, has been materially altered from the condition in which it left the factory.
5. In the event that the rating plate has been removed, altered or obliterated.
6. On parts that would be normally worn or replaced under normal conditions.
7. Normal cracking due to expansion and contraction stress relief in either the dome or floor blocks.
- 8. In the event that pressed log products of any type have been burned in the equipment.**

If any oral statements have been made regarding this appliance, such statements do not constitute warranties and are not part of the contract of sale. This Limited Warranty constitutes the complete, final and exclusive statement with regard to warranties.

THIS LIMITED WARRANTY IS EXCLUSIVE AND IN LIEU OF ALL OTHER WARRANTIES WHETHER WRITTEN, ORAL OR IMPLIED, INCLUDING, BUT NOT LIMITED TO, ANY WARRANTY OF MERCHANTABILITY OR FITNESS FOR PARTICULAR PURPOSE OR WARRANTY AGAINST LATENT DEFECTS.

LIMITATIONS OF LIABILITY:

In the event of warranty claim or otherwise, the sole obligation of Wood Stone shall be the repair and/or replacement, at the option of Wood Stone, of the appliance or component or part thereof. Such repair or replacement shall be at the expense of Wood Stone with the exception of travel over 100 miles or two hours, overtime, and holiday charges which shall be at the expense of the purchaser. Any repair or replacement under this warranty does not constitute an extension of the original warranty for any period of the appliance or for any component or part thereof. Parts to be replaced under this warranty will be repaired or replaced at the option of Wood Stone with new or functionally operative parts. The liability of Wood Stone on any claim of any kind, including claims based on warranty, expressed or implied, contract, negligence, strict liability or any other theories shall be solely and exclusively the repair or replacement of the product as stated herein, and such liability shall not include, and purchaser specifically renounces any rights to recover, special, incidental, consequential or other damages of any kind whatsoever, including, but not limited to, injuries to persons or damage to property, loss of profits or anticipated profits, or loss of use of the product.

TO SECURE WARRANTY SERVICE:

If you claim a defect covered by this Limited Warranty, direct your claim to
Wood Stone Corporation 1801 W. Bakerview Rd. Bellingham, WA 98226 USA Attn: National Service Manager