

Supplementary Instructions



AIR COOLED VIEWING WINDOW



for Mountain Series & Fire Deck Ovens



Wood Stone

WOOD STONE CORPORATION
1801 W. Bakerview Rd.
Bellingham, WA 98226 USA

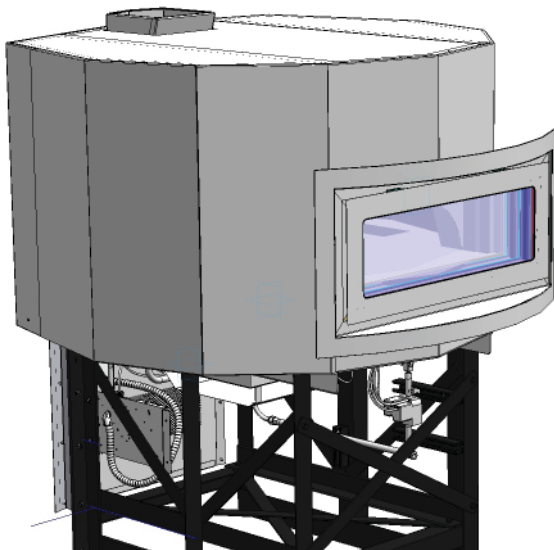
Toll Free (800) 988-8103
Tel (360) 650-1111
Fax (360) 650-1166

www.woodstone-corp.com
Revised November 2010

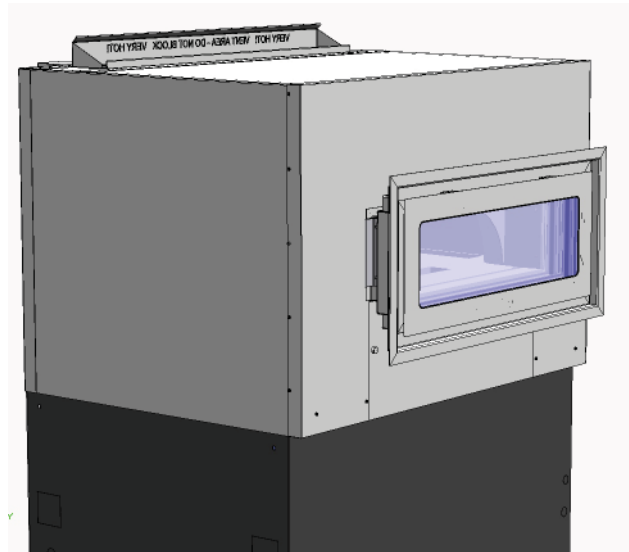


This is a supplementary manual covering the air cooled viewing window option for wood stone Fire Deck and Mountain Series ovens. The air cooled viewing window is an innovative design that utilizes three separate pieces of high-temperature ceramic glass that is air cooled to keep the outer surfaces at lower temperatures than previous models. The unit is designed to accommodate the construction of a non-combustible decorative facade wall around the window.

CAUTION: THE WINDOW MAY BE HOT TO THE TOUCH, OR POTENTIALLY CAUSE BURNS. PLEASE PLAN YOUR INSTALLATION ACCORDINGLY WITH REGARDS TO LOCATION IN AREAS WHERE THE PUBLIC, ESPECIALLY CHILDREN, MAY BE ABLE TO COME INTO CONTACT WITH IT.



Curved model shown on Mountain Series oven



Flat model shown on Fire Deck series oven

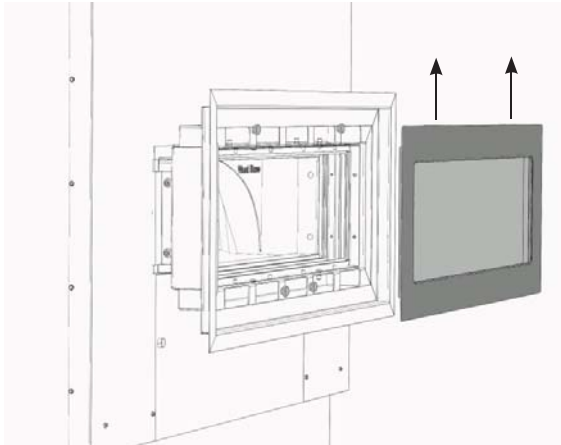


INSTALLATION GUIDELINES

1. The window comes fully installed on the oven. If building a facade wall around the window, follow the guidelines below:
2. Any facade materials within 6 inches of the **sides and bottom** of the window must be non-combustible. Any facade materials **above** the viewing window must be non-combustible. An example of non-combustible construction would be metal studs, faced with cement board covered with tile, stone or metal. Be aware that sheet-rock and wooden studs are considered combustible materials and must not be used in these areas.
3. The viewing window is equipped with a decorative flange. It is recommended that you design your wall so that the finish materials extended slightly behind this flange.

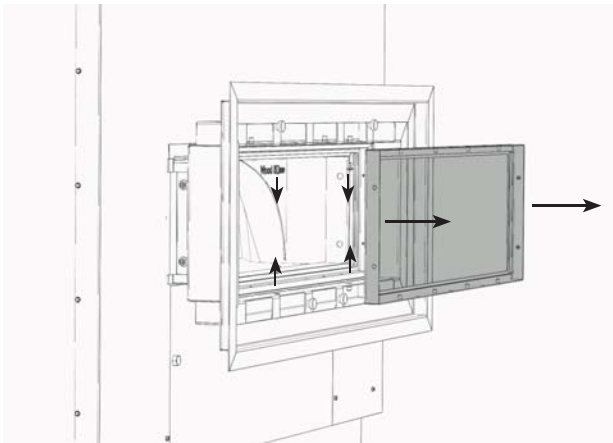
CLEANING INSTRUCTIONS:

1. Use a mild detergent and a soft cloth to clean the exposed metal surfaces. A window cleaner may be used to clean the outside window surface as well as the inside window surfaces. The inner most window surface facing the interior of the oven may be cleaned with an oven cleaner once the window is removed. **IMPORTANT: NEVER USE ANY TYPE OF OVEN CLEANER INSIDE THE OVEN OR ALLOW ANY TYPE OF CHEMICAL OR CLEANER TO COME IN CONTACT WITH THE OVEN CERAMIC (FLOOR & DOME).**
2. To clean the inner window surfaces the unit may be disassembled from the outside. **WARNING:** Make sure the oven is turned off and cool before removing any of the windows. See diagrams on the following page.



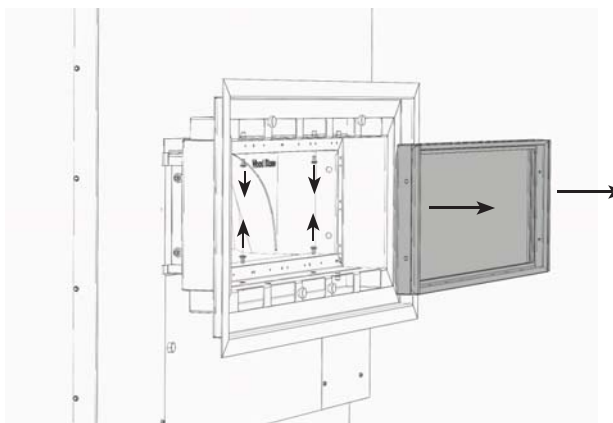
1. REMOVING OUTER WINDOW

Carefully lift upwards to disengage outer window and remove



2. REMOVING MIDDLE WINDOW

Remove four screws as shown. Pull window straight out.



3. REMOVING INNER WINDOW

Remove four screws as shown. Pull window straight out.

INSTALLATION: FOLLOW STEPS IN REVERSE TO RE-INSTALL WINDOWS