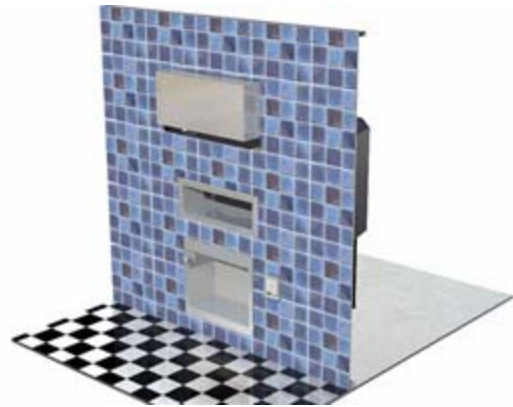


## Finishing Your Oven: A Facade Tutorial

### Variation: Flat Wall with Facade Extensions and Hood

These illustrations refer to the installation of a WS-MS-5-RFG-IR dual-temperature gas oven. Many details are applicable to all of our WS-MS ovens; some apply to WS-MS-RFG-IR ovens only.

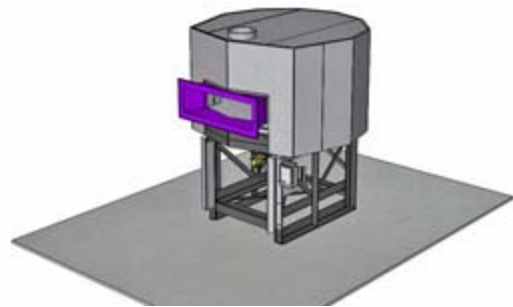
Keep in mind as you read through this tutorial that in this example we are utilizing Wood Stone manufactured Flat Facade Extensions that are designed to make the installation process easier and cleaner. We make extensions for the doorway and for the lower panel area (in this tutorial instead of the panel we utilize the storage box facade extension). These extensions can come as flat or curved, as well as arched in the doorway.



---

### Step 1. The Base Oven

**Figure 1.1** represents a WS-MS-5-RFG-IR oven which shipped with an optional Flat Doorway Facade Extension mounted at the factory. Specs for additional sizes are available in our on-line Product Catalog and CAD Symbols in our CAD Library.

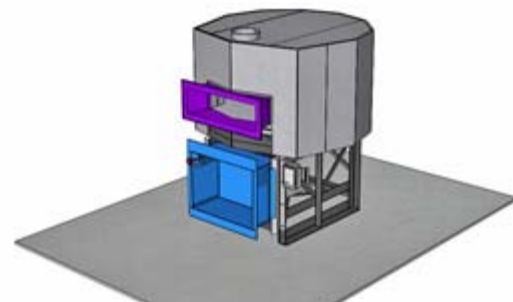


**Figure 1.1**

### **Figure 1.2**

In figure 1.2 the Storage Box Facade Extension is mounted.

It will have been pre-aligned with the Doorway Extension at the factory and then removed for shipping ease.



**Figure 1.2**

#### Figure 1.3

Our Mountain Series ovens can be either direct vented or vented with a Hood. Please see our Venting page for more details on which is appropriate for your installation.

In this example we assume a hood is required. Mount the Hood to the oven as seen in Figure 1.3 using the mounting flanges (see Mounting Detail<sup>1</sup>).

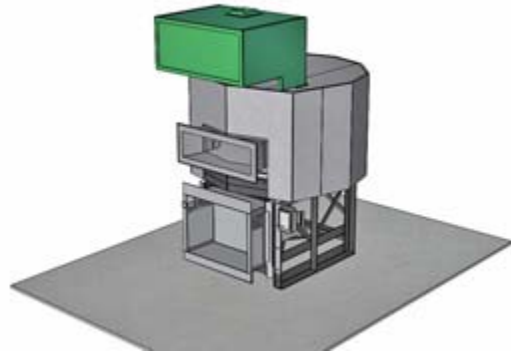
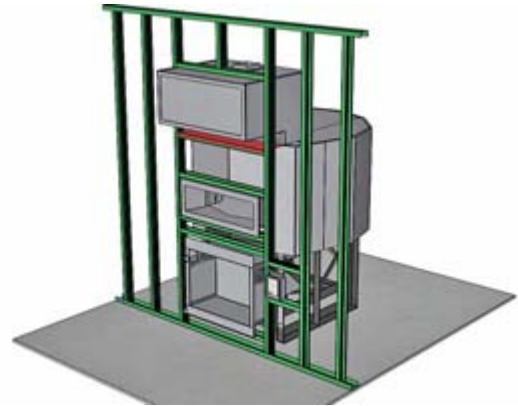


Figure 1.3

## Step 2. The Stud Wall

Here the stud wall is built (in green). Metal studs are recommended. Consideration must be given to the wall framing position to insure the minimum one-inch offset from the back of the wall surface (sheetrock) to the oven sheet metal (see Offset Detail<sup>2</sup>). It is also recommended that you fabricate a Trim Piece to connect the wall to the top of the oven, thus keeping grease from dripping down from the hood to in-between the oven and facade wall (see Trim Detail<sup>3</sup>).



It is critical that when the hood is mounted and the wall is built there is a minimum of 8" of overhang by the hood in front of the facade for access to the filters. Without this access the hood will be unreachable and thus cannot be cleaned. This can create a very dangerous situation. Adequate clearance is a must (see Filter Removal Detail<sup>4</sup>).

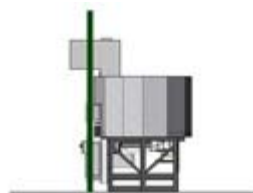
In addition, the studs on either side of the doorway must be far enough apart so that when sheet rock and tile are installed, the Storage Box Facade Extension can still be removed for oven service. For more info, see the Panel Detail<sup>5</sup>.

Note the control box comes mounted to the leg of the oven when a Storage Box Facade Extension is ordered but can be remounted in a different position.

### Step 2 Alternative Views:



Front Elevation



Side Elevation



Plan View

#### Step 3. Non-Combustibles

Seen here in yellow is the non-combustible wallboard. This is required above the oven doorway and 6" on either side of the doorway.

Non-combustible material is also required anywhere the façade touches the oven or the mantle. In this illustration, the non-combustible wallboard is used as flashing from the studs to either side of the service panel and contacts the edge of the mantle.



Usually a cement board is used for this application. Brand names of appropriate underlayment include Wonderboard and DUROCK. (Drywall is considered a combustible and should not be used).

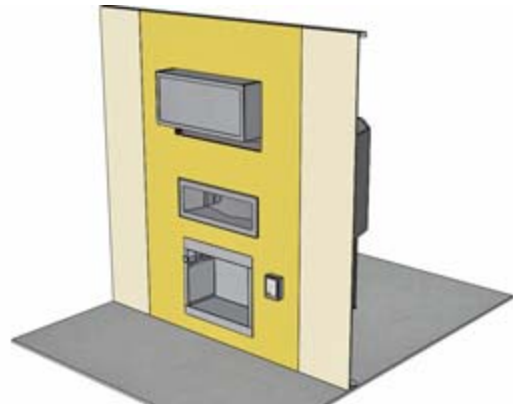
---

#### Step 4. Adding Drywall

Shown in Beige is the drywall applied to the stud wall. This portion does not need to be non-combustible.

For the sake of simplicity of construction, many installers choose to make the entire wall out of the non-combustible cement board mentioned above as to avoid cutting many oddly shaped segments.

Please note here the Airflow Detail<sup>6</sup>. Sufficient combustion air for the oven's burners must come from the front of the house.

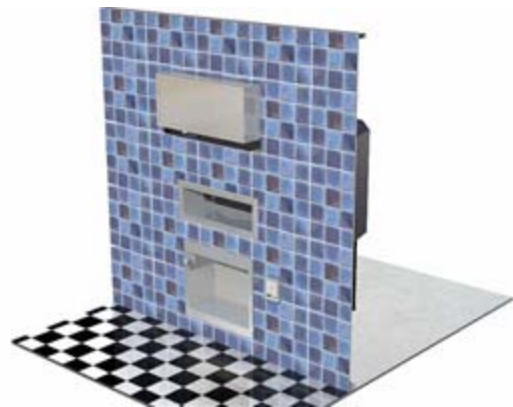


---

#### Step 4. Finishing

Drywall can be finished with any decorative material that can be easily affixed to the wall surface such as tile, stucco, sheet metal, brick etc.

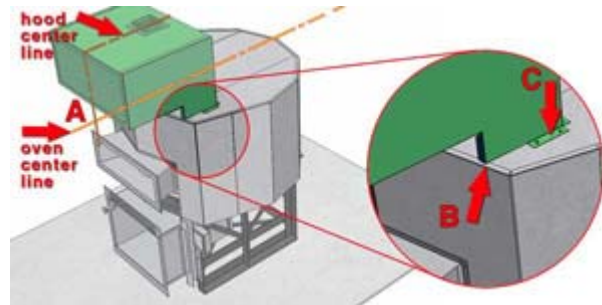
**Note:** It is necessary for the proper operation of our ovens that the Radiant Flame Control Knob be fully accessible after all finishing is completed. Please see the Radiant Knob Detail<sup>7</sup>. This knob controls temperature in our gas ovens, if you cannot adjust the knob you cannot adjust the temperature.



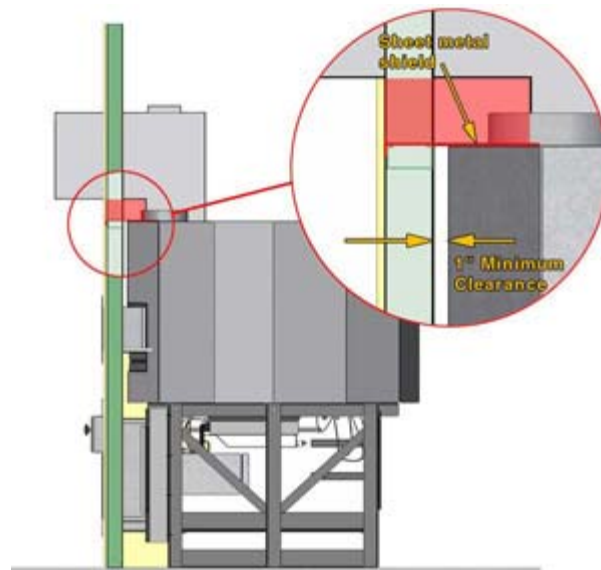
### Flat Wall with Facade Extensions Special Details

#### <sup>1</sup> Mounting Detail

To mount Wood Stone hood, approximate the center line of the hood and place on the oven inline with the center line of the oven (A). Mount hood as far forward on oven as possible, this is achieved by moving the hood so the front edge of lower notch is even with the front of the oven (B). Attach hood to oven top by fastening flange with self-tapping screws (C). Connect ductwork.



#### <sup>2</sup> Offset Detail

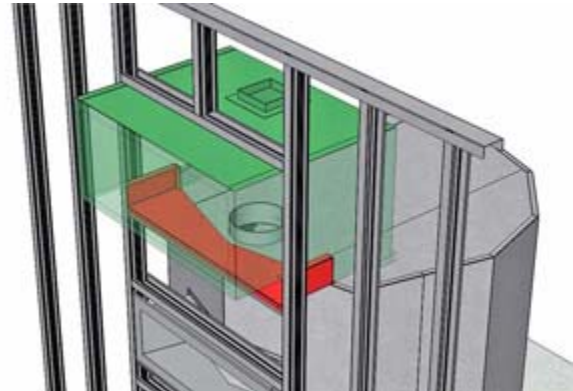


**Note** that the studs maintain 1" clearance from the oven. If these are metal studs they may touch the oven, however, THEN the 1" clearance to combustible construction must be maintained from the surface of the finished wall (in other words, no stacking napkins or wood next to the oven facade). If there is an air space between the metal stud, and a minimum of 1" to the wallboard, you will be able to stack combustibles next to the facade.

#### <sup>3</sup> Trim Detail

To prevent dripping of grease from the hood in to the space between the oven and facade wall, we recommend you create a custom sheet metal Trim piece as seen in the image at right.

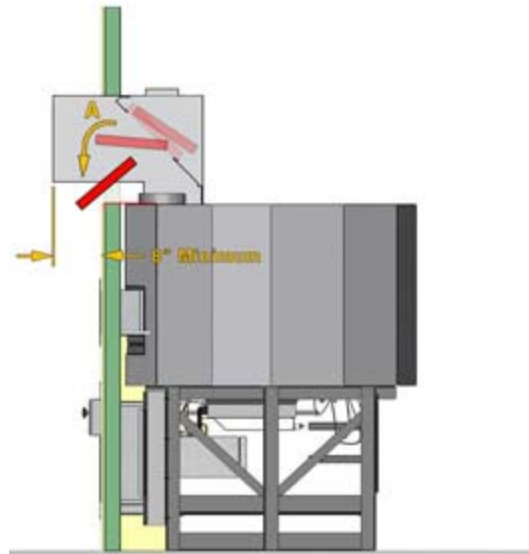
This trim piece should close any gaps between the oven and the wall.



#### <sup>4</sup> Filter Removal Detail

Proper cleaning of the hood filters is an absolute must. For proper cleaning to occur, adequate clearance for removal of the filters must be maintained.

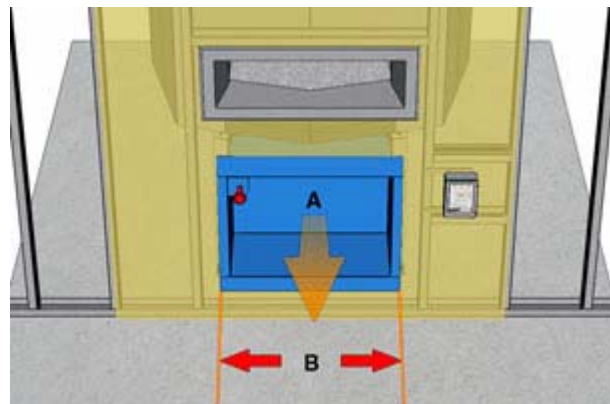
We recommend a minimum 8" clearance inside front of the hood and any facade. This will facilitate simple removal and cleaning of the filters.



#### <sup>5</sup> Panel Detail

When the facade is complete, the Storage Box Facade Extension must remain removable. "A" represents the unobstructed path of the panel for removal. "B" represents the width necessary to keep that path clear.

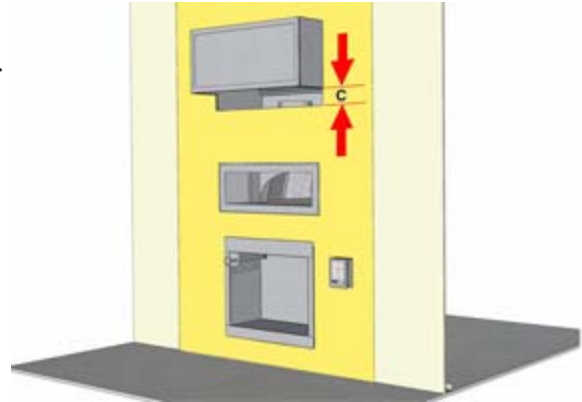
A facade will make for a functional installation as long as the following conditions are met: 1.) Service can be performed from the FRONT of the oven by removing the Storage Box Facade Extension; 2.) There is sufficient airflow from the front-of-the-house; 3.) The radiant control knob is accessible, see Radiant Knob Detail below.



#### <sup>6</sup> Airflow Detail

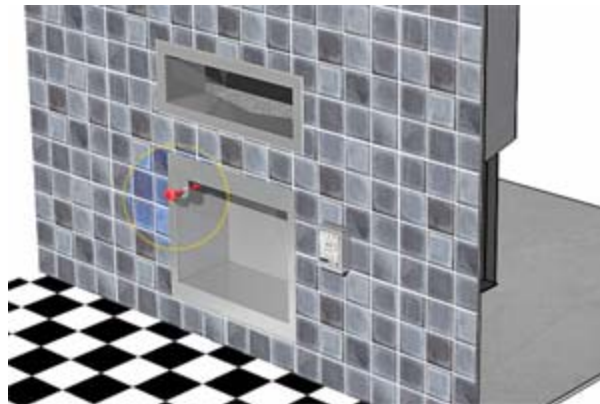
Air flows to the under part of the oven through perforated sections in the upper sections of the sides of the storage box extensions.

This area must be free of obstructions to allow proper airflow. The burners in the gas oven will not operate without sufficient combustion air. To avoid common installation mistakes that effect airflow, please read through the Dos and Don'ts of Oven Venting.



---

#### <sup>7</sup> Radiant Knob Detail



The control knob for the radiant flame inside the oven should always be accessible.