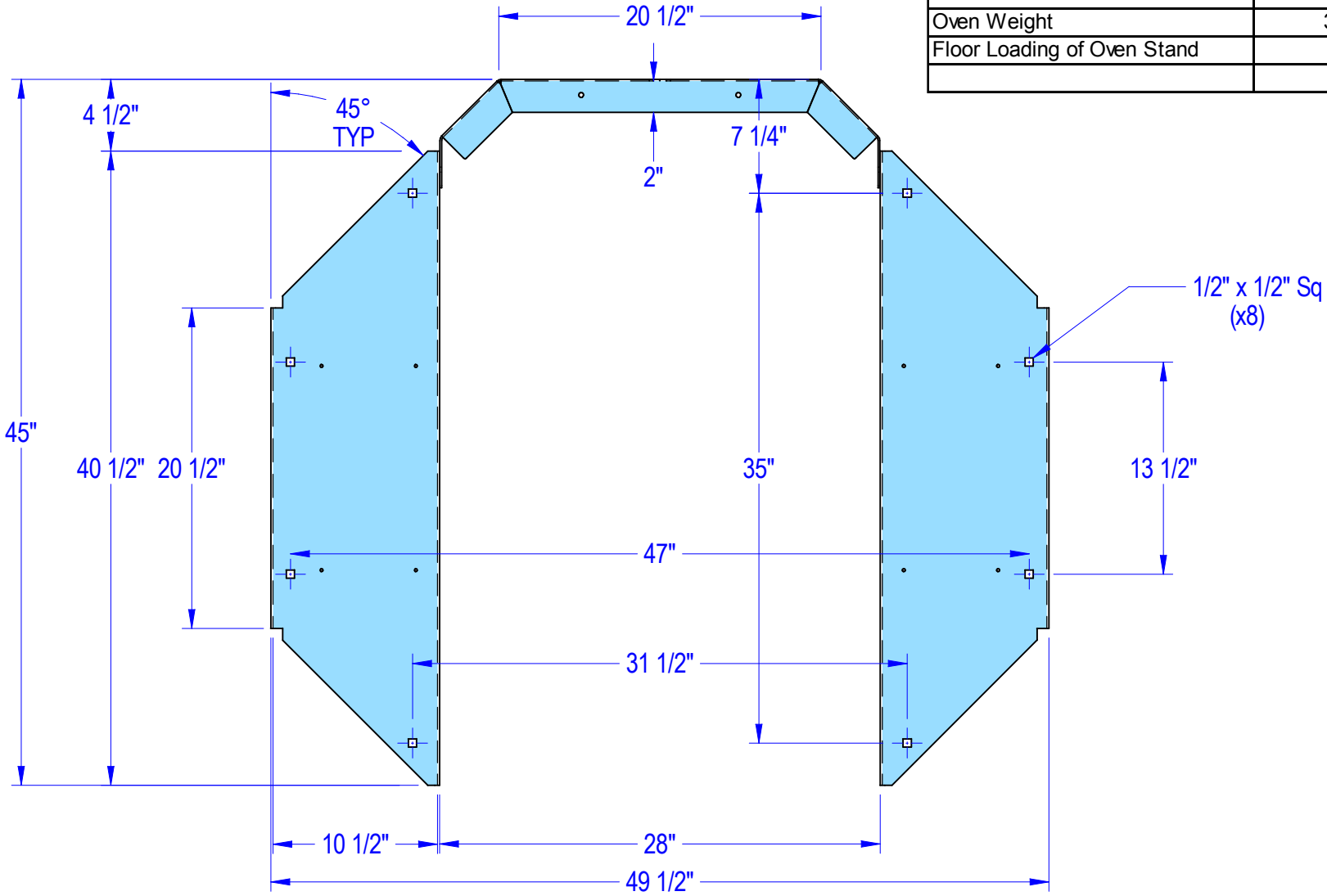


Contact Area of Oven Stand	696 in ²	449031 mm ²
	4.83 ft ²	0.449 m ²
Oven Weight	3,300 lb	14678 N
Floor Loading of Oven Stand	683 lb/ft ²	32689 N/m ²
	4.74 lb/in ²	33 kPa



Oven's Contact Area with Floor

An ongoing program of product improvement may require us to change specifications without notice.

DIMENSIONS ARE IN INCHES
TOLERANCES: LINEAR ±1/4
UNLESS NOTED OTHERWISE

THE INFORMATION CONTAINED IN THIS DRAWING IS THE SOLE PROPERTY OF WOOD STONE CORPORATION
ANY REPRODUCTION OR USE IN PART OR AS A WHOLE WITHOUT THE WRITTEN PERMISSION OF WOOD STONE IS PROHIBITED

SHEET: 1 of 1	REV: 0
DWN BY: davidz	
PART #: 001-505048-FP	
DATE: 10/22/07	