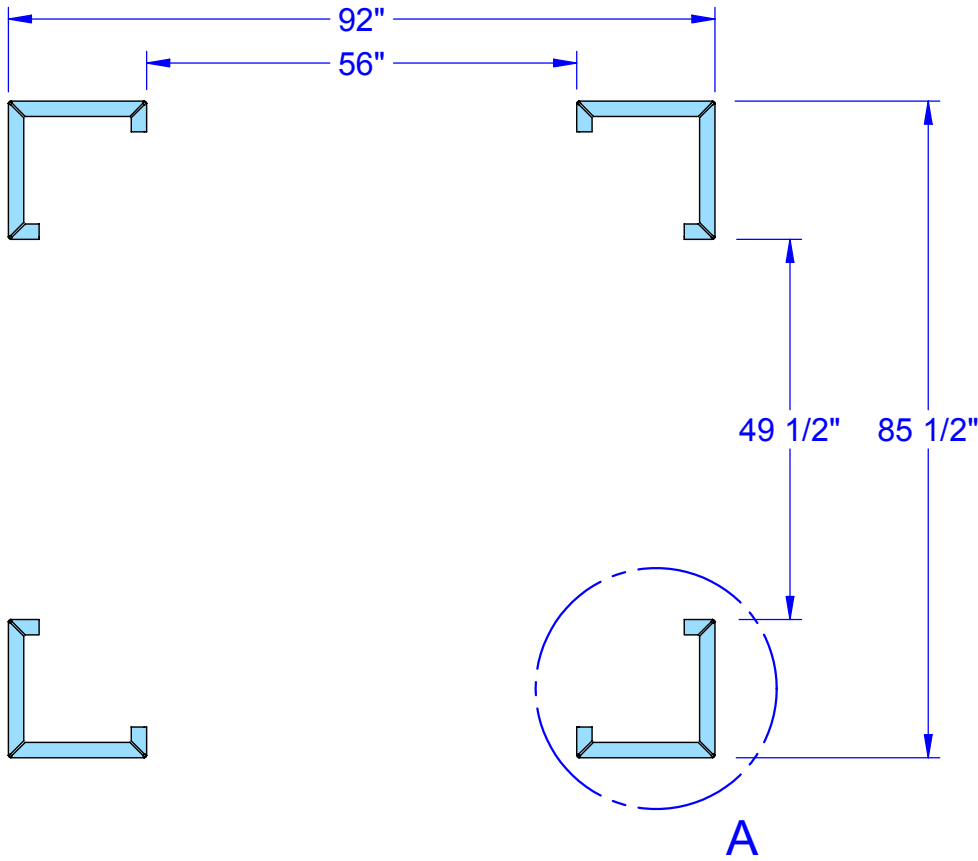
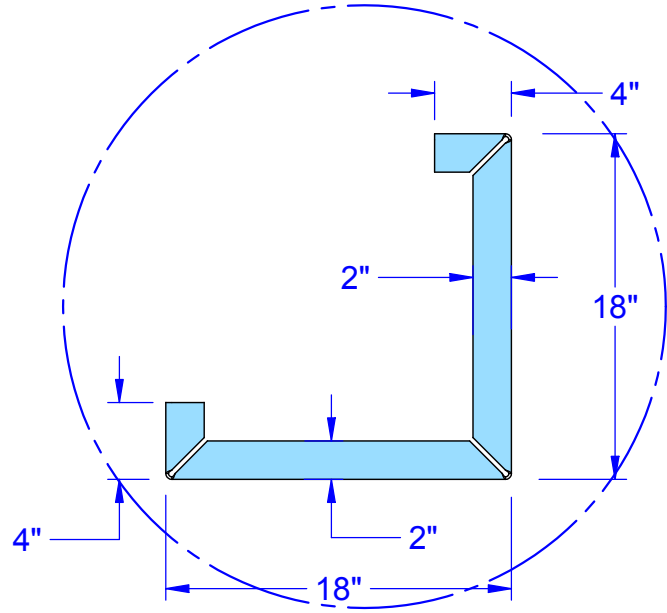


**Caution: Protect floor when using transport casters.**

Contact Area of Oven Stand	292.5	in <sup>2</sup>
	2.03	ft <sup>2</sup>
Oven Weight	10,000	lb
PSF Floor Loading of Oven Stand	4,923	lb/ft <sup>2</sup>
PSI Floor Loading of Oven Stand	34.12	lb/in <sup>2</sup>



**DETAIL A**



Oven's Contact Area with Floor

DIMENSIONS ARE IN INCHES  
 LINEAR TOLERANCES ±1/4"  
 UNLESS NOTED OTHERWISE

THE INFORMATION CONTAINED IN THIS DRAWING IS THE SOLE PROPERTY OF WOOD STONE CORPORATION  
 ANY REPRODUCTION OR USE IN PART OR AS A WHOLE WITHOUT THE WRITTEN PERMISSION OF WOOD STONE IS PROHIBITED

SHEET: 1 of 1

DWN BY: **benb**

REV: **0**

**Wood Stone**  
 Bellingham, WA 98226 (360) 650-1111 www.woodstone-corp.com

**Fire Deck Stone Hearth Oven**  
**Fire Deck 9690 (WS-FD-9690) Foot Print**

PART #: 001-509690-FP  
 DATE: 10/22/07