



IF THIS OVEN IS NOT PROPERLY INSTALLED A FIRE MAY RESULT. TO REDUCE THE RISK OF FIRE, FOLLOW THESE INSTALLATION INSTRUCTIONS. A MAJOR CAUSE OF OVEN RELATED FIRES IS FAILURE TO MAINTAIN REQUIRED CLEARANCES (AIR SPACES) TO COMBUSTIBLE MATERIALS. IT IS OF UTMOST IMPORTANCE THAT THIS OVEN BE INSTALLED ONLY IN ACCORDANCE WITH THESE INSTRUCTIONS.



WARNING: Installation and servicing of this product could expose you to glasswool/ceramic fibers as well as Calcium Silicate dust. **ALWAYS WEAR RESPIRATORY AND EYE PROTECTION WHEN INSTALLING OR SERVICING THIS APPLIANCE.** Please read this entire manual before you install the oven. Failure to follow instructions may result in property damage, bodily injury or even death. Contact your local building or fire officials about restrictions and installation inspection in your area.

CLEARANCES

- a. The Wood Stone gas-fired oven must have a **minimum 1-inch clearance to combustibles from all sides, and 14-inch clearance to combustibles from the top.** If building a facade that will contact the oven, use completely non-combustible materials*. Please note that standard dry-wall (or sheet rock) is considered a combustible.
- b. Any facade above and/or 6 inches to either side of the oven doorway, must be constructed of non-combustible building materials.
- c. Install this oven only on a non-combustible floor surface. The non-combustible floor surface should extend 36 inches out in front of the oven, and extend 30 inches to either side of the oven doorway.

NOTICE: FOR STUCCO COVERED OVENS (MODEL NUMBERS ENDING IN 'S'), 36-INCH CLEARANCE TO COMBUSTIBLE BUILDING MATERIALS IS REQUIRED. *When non-combustible building materials contact the body of the oven, the clearances to combustibles are transferred to those non-combustibles.

Please read the entire manual before you install the oven. Failure to follow instructions may result in property damage, bodily injury or even death. Contact your local building or fire officials about restrictions and installation inspection in your area.



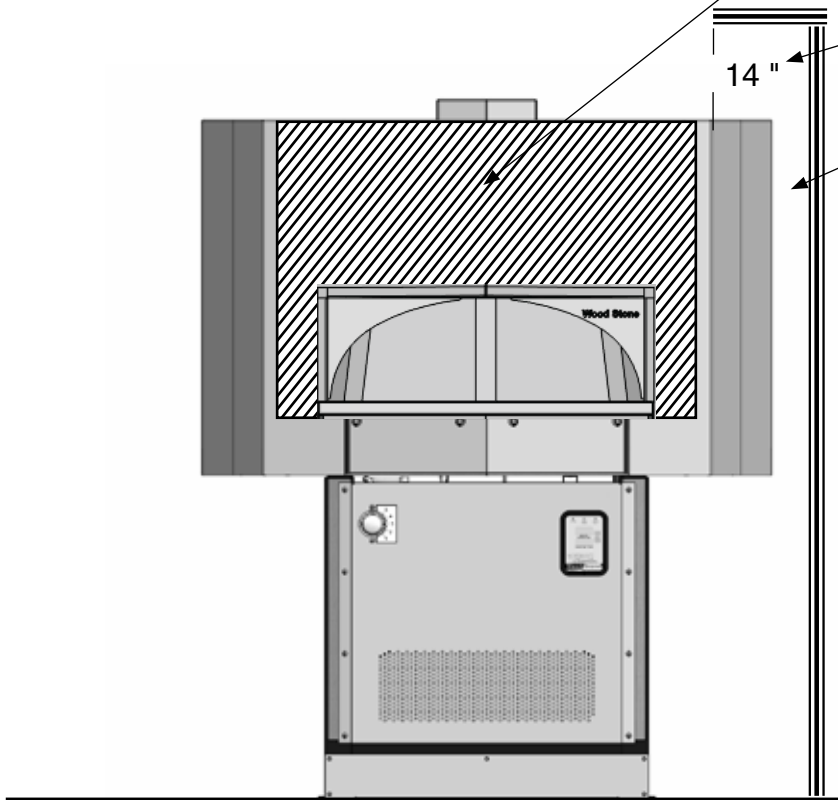
THE FOLLOWING CLEARANCE INFORMATION APPLIES TO ALL WOOD STONE MOUNTAIN SERIES (NON-STUCCO) OVENS

Any facade materials above and 6 inches to either side of the doorway of the oven, must be **NON-COMBUSTIBLE**.

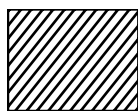
14-inch Top clearance to combustible building materials.

1-inch Side clearance to combustible building materials.

Note: 0-inch side and top clearance to non-combustible materials, however the respective clearances to combustibles are transferred to those non-combustibles.



==== Combustible Building Material

 Hatched area represents area above and 6" to either side of the oven doorway.